



**⚠ READ THIS MANUAL CAREFULLY!**  
It contains important safety information.

**⚠ LIRE ATTENTIVEMENT CE MANUEL!**  
Il comprend d'importantes informations de sécurité.

**⚠ ¡LEA ESTE MANUAL ATENTAMENTE!**  
Contiene indicaciones importantes acerca de la seguridad.

**OWNER'S MANUAL  
MANUEL DU PROPRIÉTAIRE  
MANUAL DEL PROPIETARIO**

**KODIAK**

**450**

**YFM45KD XK/YFM45KD HK  
YFM45KP XK/YFM45KP HK  
YFM45KPLK**

**BB5-F8199-61**

Original instructions  
Notice originale  
Manual original



PRINTED IN USA  
2018.03-0.5x2 CR  
(E,F,S)



**⚠ READ THIS MANUAL CAREFULLY!**  
It contains important safety information.

**OWNER'S MANUAL**

**KODIAK**

**450**

**YFM45KDXX/YFM45KDHK**

**YFM45KPXX/YFM45KPHK**

**YFM45KPLK**

**⚠ WARNING**

This ATV should not be ridden by anyone under 16 years of age.

**BB5-F8199-61-E0**



**Read this manual carefully before operating this vehicle. This manual should stay with this vehicle if it is sold.**

## EC Declaration of Conformity

conforming to Directive 2006/42/EC

**We, YAMAHA MOTOR CO., LTD. 2500 Shingai, Iwata, Japan,  
declare in sole responsibility, that the product**

**YFM450FWB (YFM45KDXK) (5Y4AJ81W0J0501631-)  
(YFM45KDHK) (5Y4AJ81W0J0501631-)**

(Make, model)

**to which this declaration applies, conforms to the essential health and  
safety requirements of Directive 2006/42/EC**

(If applicable)

**and to the other relevant Directives of EEC**

**2014/30/EU**

(Title and/or number and date of issue of the other Directives of EEC)

(If applicable)

**To effect correct application of the essential health and safety requirements  
stated in the Directives of EEC, the following-standards and/or technical  
specifications were consulted:**

**EN15997, ANSI/SVIA 1-2017**

(Title and/or number and date of issue of standards and/or specifications)

### Manufacturer

YAMAHA MOTOR MANUFACTURING CORPORATION OF AMERICA

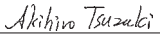
1000 GA Highway 34 East, Newnan, Georgia 30265-1320, U.S.A.

### Authorized Representative

YAMAHA MOTOR EUROPE N.V.

Koolhovenlaan 101, 1119 NC Schiphol-Rijk, The Netherlands

Signature

  
Akihiro Tsuzuki

General Manager

Recreational Vehicle Development Division

PF Model Development Section

PF Model Unit

YAMAHA MOTOR CO., LTD.

Date of Issue

23 January, 2018

## EC Declaration of Conformity

conforming to Directive 2006/42/EC

We, YAMAHA MOTOR CO., LTD. 2500 Shingai, Iwata, Japan,  
declare in sole responsibility, that the product

YFM450FWBD (YFM45KPXK) (5Y4AJ79W0J0502551-)  
(YFM45KPLK) (5Y4AJ79W0J0502551-)  
(YFM45KPHK) (5Y4AJ79W0J0502551-)

(Make, model)

to which this declaration applies, conforms to the essential health and  
safety requirements of Directive 2006/42/EC

(If applicable)

and to the other relevant Directives of EEC

2014/30/EU

(Title and/or number and date of issue of the other Directives of EEC)

(If applicable)

To effect correct application of the essential health and safety requirements  
stated in the Directives of EEC, the following-standards and/or technical  
specifications were consulted:

EN15997, ANSI/SVIA 1-2017

(Title and/or number and date of issue of standards and/or specifications)

### Manufacturer

YAMAHA MOTOR MANUFACTURING CORPORATION OF AMERICA

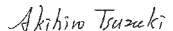
1000 GA Highway 34 East, Newnan, Georgia 30265-1320, U.S.A.

### Authorized Representative

YAMAHA MOTOR EUROPE N.V.

Koolhovenlaan 101, 1119 NC Schiphol-Rijk, The Netherlands

Signature



Akihiro Tsuzuki

General Manager

Recreational Vehicle Development Division

PF Model Development Section

PF Model Unit

YAMAHA MOTOR CO., LTD.

Date of Issue

23 January, 2018

# INTRODUCTION

Congratulations on your purchase of the Yamaha YFM45KDXX / YFM45KDHK / YFM45KPXX / YFM45KPHK / YFM45KPLK. This ATV represents the result of many years of Yamaha experience in the production of fine sporting, touring, and pacesetting racing machines. With the purchase of this Yamaha, you can now appreciate the high degree of craftsmanship and reliability that have made Yamaha a leader in these fields.

This manual will provide you with a good basic understanding of the features and operation of this ATV. **This manual includes important safety information. It provides information about special techniques and skills necessary to ride the ATV.** It also includes basic maintenance and inspection procedures. If you have any questions regarding the operation or maintenance of your ATV, please consult a Yamaha dealer.




## **AN IMPORTANT SAFETY MESSAGE:**

- Read this manual completely before operating your ATV. Make sure you understand all instructions.
- Pay close attention to the warning and notice labels on the ATV.
- This ATV should not be ridden by anyone under 16 years of age.

## IMPORTANT MANUAL INFORMATION

FAILURE TO FOLLOW THE WARNINGS CONTAINED IN THIS MANUAL CAN RESULT IN SERIOUS INJURY OR DEATH.

Particularly important information is distinguished in this manual by the following notations:

	<p><b>This is the safety alert symbol. It is used to alert you to potential personal injury hazards. Obey all safety messages that follow this symbol to avoid possible injury or death.</b></p>
	<p><b>A WARNING indicates a hazardous situation which, if not avoided, could result in death or serious injury.</b></p>
	<p><b>A NOTICE indicates special precautions that must be taken to avoid damage to the vehicle or other property.</b></p>
<p><b>TIP</b></p>	<p>A TIP provides key information to make procedures easier or clearer.</p>

### TIP

- Product and specifications are subject to change without notice.
- The ATV you have purchased may differ slightly from the figures shown in this manual.

EBU17351

## IMPORTANT NOTICE

EBU17373

This ATV is designed and manufactured for use on unpaved surfaces only. It is unsafe to operate this ATV on any paved surface, paved street, paved road or motorway.

Please check your local riding laws and regulations before operating this ATV.

EBU17411

**YFM45KDXK / YFM45KDHK / YFM45KPXK /  
YFM45KPHK / YFM45KPLK  
OWNER'S MANUAL  
©2019 by Yamaha Motor Co., Ltd.  
1st edition, February 2018  
All rights reserved.  
Any reprinting or unauthorized use  
without the written permission of  
Yamaha Motor Co., Ltd.  
is expressly prohibited.  
Printed in U.S.A.**



# TABLE OF CONTENTS

LOCATION OF THE WARNING AND SPECIFICATION LABELS .....	1-1	Seat .....	4-13
SAFETY INFORMATION .....	2-1	Storage compartment.....	4-14
DESCRIPTION.....	3-1	Front carrier .....	4-15
Left view .....	3-1	Rear carrier .....	4-15
Right view.....	3-1	Front and rear shock absorbers .....	4-15
Controls and instruments.....	3-2	Trailer hitch (for equipped models).....	4-17
INSTRUMENT AND CONTROL FUNCTIONS.....	4-1	Auxiliary DC jack.....	4-18
Main switch .....	4-1	Winch pre-wiring .....	4-18
Indicator lights and warning lights .....	4-1	PRE-OPERATION CHECKS .....	5-1
Display unit .....	4-4	Fuel .....	5-3
Self-diagnosis device.....	4-5	Engine oil .....	5-3
Handlebar switches .....	4-6	Final gear oil .....	5-3
Throttle lever .....	4-8	Differential gear oil.....	5-3
Speed limiter .....	4-8	Coolant .....	5-3
Front brake lever .....	4-9	Front and rear brakes .....	5-3
Brake pedal and rear brake lever .....	4-9	Throttle lever.....	5-4
Drive select lever.....	4-10	Tires .....	5-4
Fuel tank cap .....	4-11	Chassis fasteners .....	5-7
Fuel .....	4-12	Instruments, lights and switches .....	5-7
		OPERATION .....	6-1
		Starting the engine .....	6-1

Operating the drive select lever and driving in reverse.....	6-2	Periodic maintenance chart: Emission control system.....	8-3
Engine break-in.....	6-4	Periodic maintenance chart: General maintenance and lubrication.....	8-5
Parking.....	6-4	Removing and installing panels.....	8-10
Parking on a slope.....	6-5	Checking the spark plug.....	8-17
Accessories and loading.....	6-5	Engine oil and oil filter cartridge.....	8-19
RIDING YOUR ATV.....	7-1	Final gear oil.....	8-24
GETTING TO KNOW YOUR ATV.....	7-2	Changing the differential gear oil.....	8-27
RIDE WITH CARE AND GOOD JUDGMENT.....	7-2	Coolant.....	8-28
BE CAREFUL WHERE YOU RIDE.....	7-9	Cleaning the air filter.....	8-32
TURNING YOUR ATV.....	7-12	Cleaning the spark arrester.....	8-35
CLIMBING UPHILL.....	7-13	V-belt cooling duct check hose.....	8-36
RIDING DOWNHILL.....	7-16	V-belt case drain plug.....	8-37
CROSSING A SLOPE.....	7-17	Adjusting the throttle lever free play.....	8-38
CROSSING THROUGH SHALLOW WATER.....	7-18	Valve clearance.....	8-38
RIDING OVER ROUGH TERRAIN.....	7-20	Brakes.....	8-38
SLIDING AND SKIDDING.....	7-21	Checking the front brake pads and rear brake friction plates.....	8-39
WHAT TO DO IF.....	7-22	Checking the brake fluid level.....	8-39
WHAT TO DO.....	7-22	Changing the brake fluid.....	8-41
PERIODIC MAINTENANCE AND ADJUSTMENT.....	8-1	Checking the front brake lever free play... ..	8-41
Owner's Manual and tool kit.....	8-2	Adjusting the rear brake lever and brake pedal.....	8-41
		Axle boots.....	8-46
		Brake light switches.....	8-47
		Checking and lubricating the cables.....	8-48

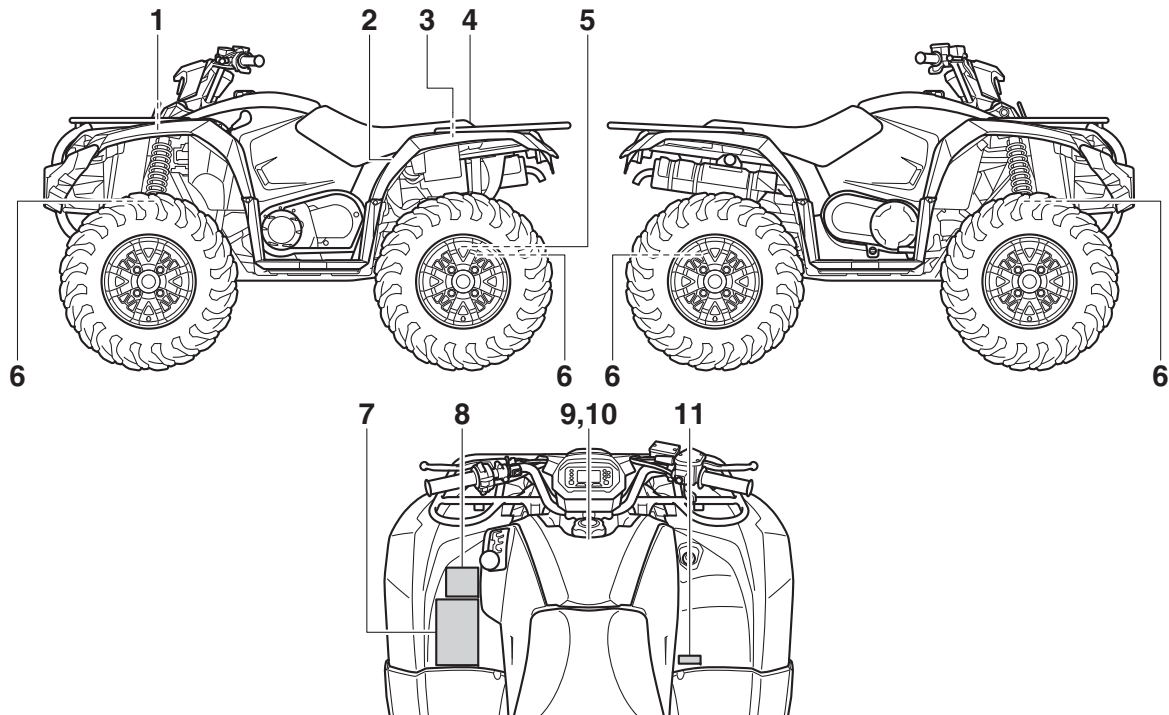
Checking and lubricating the front and rear brake levers .....	8-48	SPECIFICATIONS.....	10-1
Checking and lubricating the brake pedal .....	8-49	CONSUMER INFORMATION.....	11-1
Checking the wheel hub bearings.....	8-49	Identification numbers .....	11-1
Lubricating the drive shaft universal joint .....	8-50	INDEX .....	12-1
Checking the stabilizer bushes .....	8-50		
Lubricating the rear knuckle pivots.....	8-51		
Lubricating the steering shaft .....	8-51		
Battery.....	8-52		
Replacing a fuse .....	8-55		
Replacing a headlight bulb .....	8-58		
Adjusting a headlight beam .....	8-61		
Replacing the brake/tail light bulb .....	8-62		
Removing a wheel.....	8-63		
Installing a wheel.....	8-63		
Troubleshooting .....	8-65		
Troubleshooting charts .....	8-66		
CLEANING AND STORAGE .....	9-1		
Cleaning .....	9-1		
Storage.....	9-2		

# LOCATION OF THE WARNING AND SPECIFICATION LABELS

Read and understand all of the labels on your ATV. These labels contain important information for safe and proper operation.

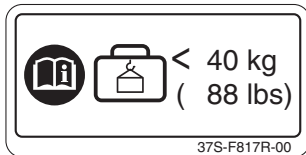
Never remove any labels from your ATV. If a label becomes difficult to read or comes off, request a replacement label from your Yamaha dealer.

For Europe

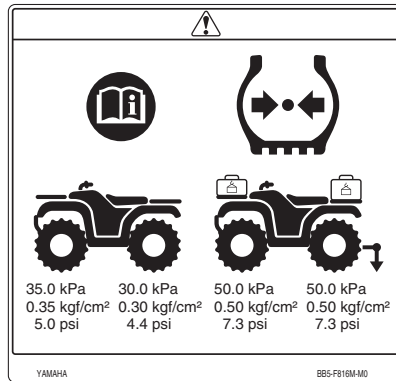


1

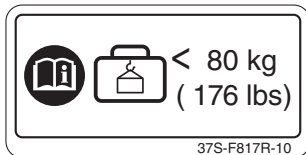
1



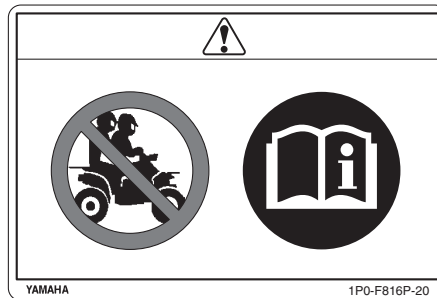
2



3



4



5

< 5880 N  
 < 600 kgf  
 < 1322 lbf  
 < 147 N  
 < 15 kgf  
 < 33 lbf

37S-F817S-00

6



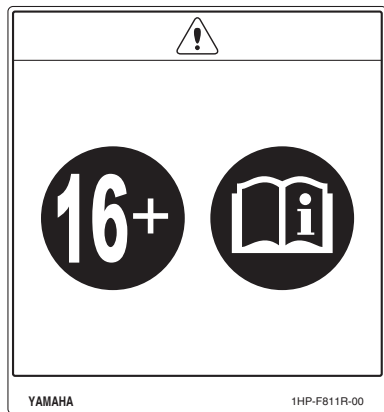
7

YAMAHA

1P0-F816R-00

1

8



11 YFM45KDXX / YFM45KDXX



9



10


















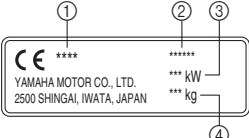

11 YFM45KPXX / YFM45KPHK / YFM45KPLK



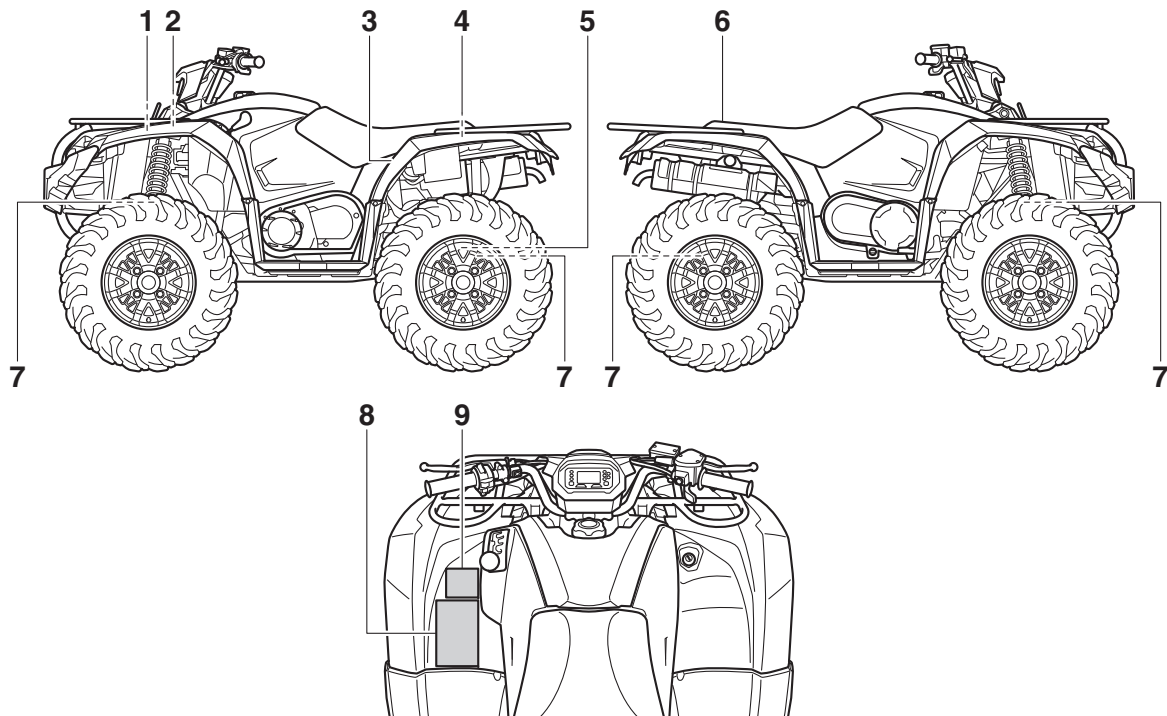


Familiarize yourself with the following pictograms and read the explanatory text, then make sure to check the pictograms that apply to your model.

	Read the Owner's manual.		NEVER use on paved roads.
	ALWAYS use an approved helmet and protective gear.		NEVER carry passengers.
	Use from 16 years old. Operating this ATV if you are under the age of 16 increases your chance of severe injury or death.		NEVER use with drugs or alcohol.
	This unit contains high-pressure nitrogen gas. Mishandling can cause an explosion. Do not incinerate, puncture or open.		NEVER store fuel or flammable liquids.

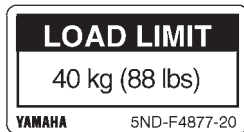
	<p>EN228 fuel identification mark. Gasoline of ethanol 5% or less can be used.</p>	 <p>*** kPa    ** kPa *** kgf/cm<sup>2</sup>    ** kgf/cm<sup>2</sup> ** psi    * psi</p>	<p>Adjust the tire pressure. Improper tire pressure can cause loss of control. Loss of control can result in severe injury or death.</p>
	<p>EN228 fuel identification mark. Gasoline of ethanol 10% or less can be used.</p>		<p>This pictogram shows the loading limits and/or maximum load capacity for this ATV. Follow all load limits and other loading guidelines in this manual.</p>
	<p>Use unleaded gasoline only.</p>		<p>Load may include the driver, passenger, human protective gear, accessories, goods, luggage, and all other load related items. Make sure you do not exceed the load limits. Overloading can cause loss of control. Loss of control can result in severe injury or death.</p>
	<p>Measure the tire pressure when the tires are cold.</p>		<p>This pictogram shows trailer Hitch Tow weight limit. (Combined weight of the trailer and all cargo in the trailer.) Overloading can cause loss of control. Loss of control can result in severe injury or death.</p>
	<p>① Year of construction ② Model Name ③ Max. Power ④ Mass In Running Order</p>		<p>This pictogram shows trailer Hitch Tongue weight limit. (Weight on the trailer tongue.) Overloading can cause loss of control. Loss of control can result in severe injury or death.</p>

## For Oceania

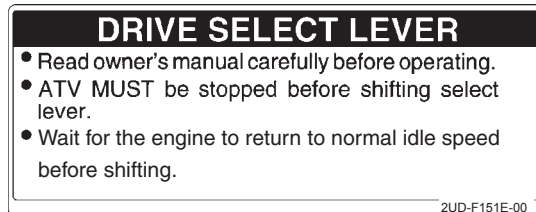


1

1



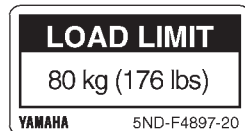
2



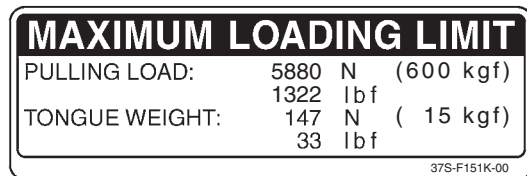
3



4



5



6



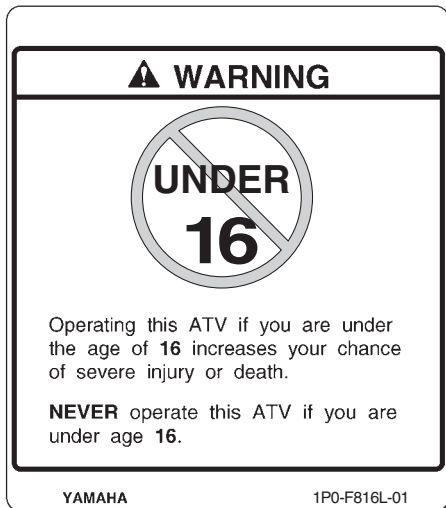
7



8



1





## SAFETY INFORMATION

### **AN ATV IS NOT A TOY AND CAN BE HAZARDOUS TO OPERATE.**

An ATV handles differently from other vehicles, including motorcycles and cars. A collision or roll-over can occur quickly, even during routine maneuvers such as turning and riding on hills or over obstacles, if you fail to take proper precautions.

SEVERE INJURY OR DEATH can result if you do not follow these instructions:

- Read this manual and all labels carefully and follow the operating procedures described.
- Never operate an ATV without proper training or instruction. Take a training course. Beginners should receive training from a certified instructor. Contact an authorized ATV dealer to find out about the training courses nearest you.
- Always follow the age recommendation:
  - A child under 16 years old should never operate an ATV with engine size greater than 90 cc.

- Never allow a child under age 16 to operate an ATV without adult supervision, and never allow continued use of an ATV by a child if he or she does not have the abilities to operate it safely.
- Never carry a passenger on an ATV.
- This vehicle is intended for off-road use only. Do not operate on any paved surfaces such as: sidewalks, driveways, parking lots, paved roads, public streets or other motorway.
- Watch carefully for other vehicles when operating on unpaved public streets or roads. Make sure you know your country's laws and regulations before you ride on unpaved public streets or roads.
- Never operate an ATV without wearing an approved motorcycle helmet that fits properly. You should also wear eye protection (goggles or face shield), gloves, boots, a long-sleeved shirt or a jacket, and long pants.
- Never consume alcohol or drugs before or while operating this ATV.

- Never operate at speeds too fast for your skills or the riding conditions. Always go at a speed that is proper for the terrain, visibility, operating conditions, and your experience.
- Never attempt wheelies, jumps, or other stunts.
- Always inspect your ATV each time you use it to make sure it is in safe operating condition. Always follow the inspection and maintenance procedures and schedules described in this manual.
- Always keep both hands on the handlebars and both feet on the footboards of the ATV during operation.
- Always go slowly and be extra careful when operating on unfamiliar terrain. Always be alert to changing terrain conditions when operating the ATV.
- Never operate on excessively rough, slippery or loose terrain until you have learned and practiced the skills necessary to control the ATV on such terrain. Always be especially cautious on these kinds of terrain.
- Always follow proper procedures for turning as described in this manual. Practice turning at low speeds before attempting to turn at faster speeds and never turn at excessive speeds.
- Never operate the ATV on hills too steep for the ATV or for your abilities. Practice on smaller hills before attempting larger hills.
- Always follow proper procedures for climbing hills as described in this manual. Check the terrain carefully before you start up any hill. Never climb hills with excessively slippery or loose surfaces. Shift your weight forward. Never open the throttle suddenly. Never go over the top of a hill at high speed.
- Always follow proper procedures for going down hills and for braking on hills as described in this manual. Check the terrain carefully before you start down any hill. Shift your weight backward. Never go down a hill at high speed. Avoid going down a hill at an angle that would cause the vehicle to lean sharply to one side. Go straight down the hill where possible.
- Always follow proper procedures for crossing the side of a hill as described in this manual. Avoid hills with excessively slippery or loose surfaces. Shift your weight to the uphill side of the ATV. Never attempt to turn the ATV around on any hill until you have mastered the turning



technique described in this manual on level ground. Avoid crossing the side of a steep hill if possible.

- Always use proper procedures if you stall or roll backwards when climbing a hill. To avoid stalling, use the proper gear range and maintain a steady speed when climbing a hill. If you stall or roll backwards, follow the special procedure for braking described in this manual. Dismount on the uphill side or to a side if pointed straight uphill. Turn the ATV around and remount, following the procedure described in this manual.
- Always check for obstacles before operating in a new area.
- Never attempt to operate over large obstacles, such as large rocks or fallen trees. Always follow proper procedures when operating over obstacles as described in this manual.
- Always be careful when skidding or sliding. Learn to safely control skidding or sliding by practicing at low speeds and on level, smooth terrain. On extremely slippery surfaces, such as ice, go slowly and be very cautious in order to reduce the chance of skidding or sliding out of control.
- Never operate an ATV in fast flowing water or in water deeper than that recommended in this manual. Remember that wet brakes may have reduced stopping ability. Test your brakes after leaving water. If necessary, apply them several times to let friction dry out the linings.
- Always be sure there are no obstacles or people behind you when you operate in reverse. When it is safe to proceed in reverse, go slowly.
- Always use the size and type of tires specified in this manual.
- Always maintain proper tire pressure as described in this manual.
- Never exceed the stated load capacity for an ATV. Cargo should be properly distributed and securely attached. Reduce speed and follow instructions in this manual for carrying cargo or pulling a trailer. Allow greater distance for braking.
- Do not operate your ATV during darkness unless it is equipped with a properly functioning headlight. Off-road riding is inherently dangerous and additionally, off-road trails do not have streetlights to guide you.

- Never maintain an ATV without proper knowledge. Contact an authorized ATV dealer to inform you on basic ATV maintenance. Certain maintenance can only be carried out by certified staff.

### **In the event of an accident**

1. If serious injuries are incurred, you may be safer staying next to your vehicle; it may shield you from oncoming riders. Depending on your injuries and position in the trail; you must make a judgment call as to whether you should move to a position off the trail. If you have sustained head, neck, or back injuries, or cannot feel your limbs, you should not move. Keep your helmet on and remain motionless. Lie down next to your vehicle and wait for help.
2. If less serious injuries are incurred and you can walk, then move to a position off the trail. Check yourself for injuries and apply first aid as needed.
3. If your injuries are light, when safe to do so, move your vehicle off the trail to avoid collisions with oncoming riders. Check for injuries and apply first aid as necessary. If you can physically operate your vehicle, inspect your

vehicle. If the vehicle is in safe operating condition and you can safely operate it, restart it and ride gently back to camp or other known location where you can receive medical attention. If necessary, contact your riding party or local authorities to let them know where you are and what has happened.

### **In the event of a breakdown**

1. If your vehicle will not restart or is not in safe operating condition, turn off the main switch and engine stop switch. If the breakdown occurs at twilight or night, leave the main switch on so that your lights may warn other riders of your stopped vehicle.
2. Get out of danger. Check for oncoming vehicles and when safe, push your vehicle to the side of the trail or even off the main trail to avoid any possible collisions with oncoming riders. If you cannot move your vehicle by yourself, when safe, walk to the nearest vantage point and signal an oncoming rider to help you push your vehicle to a safe place off the trail.
3. Inspect your vehicle for any immediate hazardous conditions. The most obvious hazardous conditions are leaking fuel and

- ungrounded or broken wiring. Visually check for broken wiring and leaking fuel. Leaking fuel can be confirmed by the odor of gasoline.
4. Once immediate safety hazards are confirmed not to exist, you may remove your helmet to more closely inspect your vehicle. Check for external signs of wear, broken parts, fluid leaks, cracks in the frame, suspension damage, wheel damage, and so on. Fuel, oil, and coolant usually give off a noticeable odor.
  5. If your vehicle will not restart or if it is unsafe to ride, then turn off all vehicle systems (engine stop switch, main switch, and fuel cock), and then signal or go for help.

### **Aftermarket Parts, Accessories, and Modifications**

While you may find aftermarket products similar in design and quality to genuine Yamaha accessories, recognize that some aftermarket accessories or modifications are not suitable because of potential safety hazards to you or others. Installing aftermarket products or having other modifications performed to your vehicle that change any of the vehicle's design or operation characteristics can put you and others at greater risk of serious

injury or death. You are responsible for injuries related to changes in the vehicle. Keep the following guidelines in mind, as well as those found in the Loading section (page 6-6) when mounting accessories.

- Never install accessories that would impair the performance of your ATV. Carefully inspect the accessory before using it to make sure that it does not in any way reduce ground clearance, limit suspension travel, steering travel or control operation.
- Accessories fitted to the ATV can create instability due to improper weight distribution.
- Bulky or large accessories may seriously affect the stability of the ATV.
- Certain accessories can displace the operator from his or her normal riding position. This improper position limits the freedom of movement of the operator and may limit control ability, therefore, such accessories are not recommended.
- Use caution when adding electrical accessories. If electrical accessories exceed the capacity of the ATV's electrical system, an electric failure could result, which could cause a dan-

gerous loss of lights or engine power. Also, the battery tends to discharge more quickly if electrical accessories are added.

EWB00073

2

 **WARNING**

**Avoid Carbon Monoxide Poisoning**

All engine exhaust contains carbon monoxide, a deadly gas. Breathing carbon monoxide can cause headaches, dizziness, drowsiness, nausea, confusion, and eventually death.

Carbon Monoxide is a colorless, odorless, tasteless gas which may be present even if you do not see or smell any engine exhaust. Deadly levels of carbon monoxide can collect rapidly and you can quickly be overcome and unable to save yourself. Also, deadly levels of carbon monoxide can linger for hours or days in enclosed or poorly ventilated areas. If you experience any symptoms of carbon monoxide poisoning, leave the area immediately, get fresh air, and **SEEK MEDICAL TREATMENT.**

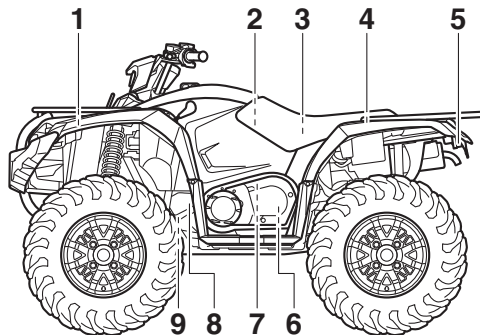
- Do not run engine indoors. Even if you try to ventilate engine exhaust with fans or open windows and doors, carbon monoxide can rapidly reach dangerous levels.

- Do not run engine in poorly ventilated or partially enclosed areas such as barns, garages, or carports.
  - Do not run engine outdoors where engine exhaust can be drawn into a building through openings such as windows and doors.
-

# DESCRIPTION

EBU17691

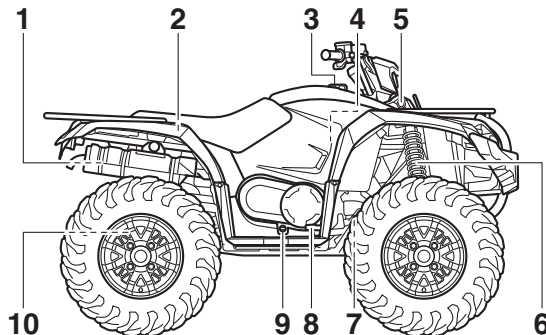
## Left view



1. Radiator cap
2. Air filter
3. Battery
4. Fuses
5. Brake/tail light
6. Engine oil filler cap
7. Oil filter cartridge
8. Coolant reservoir
9. V-belt cooling duct check hose

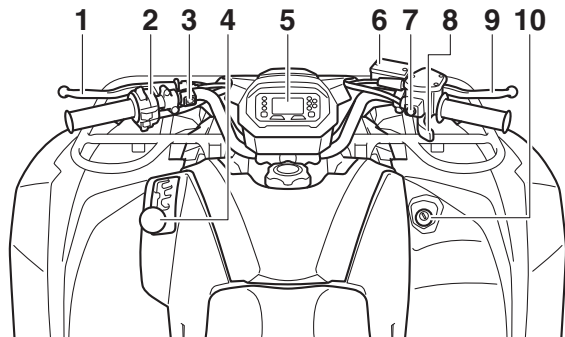
EBU17701

## Right view



1. Spark arrester
2. Storage compartment and tool kit
3. Fuel tank cap
4. Spark plug
5. Auxiliary DC jack
6. Front shock absorber
7. Rear brake light switch
8. Brake pedal
9. V-belt case drain plug
10. Rear shock absorber

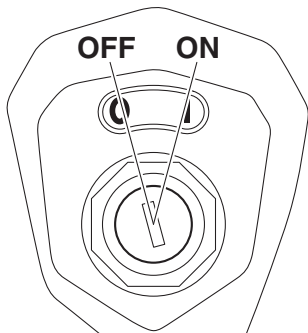
## Controls and instruments



1. Rear brake lever
2. Handlebar switches
3. Horn switch
4. Drive select lever
5. Display unit
6. Front brake fluid reservoir
7. On-Command drive switch "2WD/4WD"
8. Throttle lever
9. Front brake lever
10. Main switch

# INSTRUMENT AND CONTROL FUNCTIONS

## Main switch



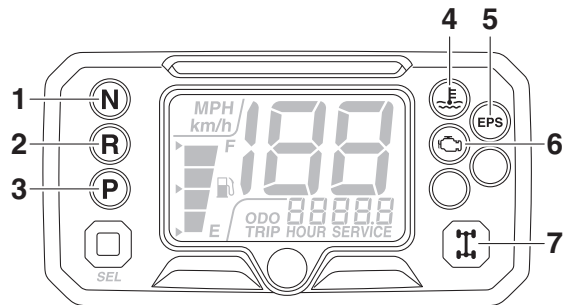
### “” (on)



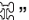
All electrical systems are supplied with power. The engine can be started. The key cannot be removed.

### “” (off)

All electrical systems are off. The key can be removed.

## Indicator lights and warning lights



1. Neutral indicator light “N”
2. Reverse indicator light “R”
3. Park indicator light “P”
4. Coolant temperature warning light “”
5. Electric Power Steering warning light “EPS” (for EPS model)
6. Engine trouble warning light “”
7. Four-wheel drive indicator light “”

EBU17861

### **Neutral indicator light “N”**

This indicator light comes on when the transmission is in the neutral position.

EBU17831

### **Reverse indicator light “R”**

This indicator light comes on when the transmission is in the reverse position.

4

EBU17971


### **Park indicator light “P”**


This indicator light comes on when the transmission is in the park position.

EBU34562

### **Coolant temperature warning light “”**

This warning light comes on when the engine overheats. When this occurs during operation, stop the engine as soon as it is safe to do so and allow it to cool down for about 10 minutes.

The electrical circuit of the warning light can be checked by turning the key to “” (on). The warning light should come on for a few seconds, and then go off.

If the warning light does not come on initially when the key is turned to “” (on), or if the warning light remains on, have a Yamaha dealer check the electrical circuit.

### **TIP**

The radiator fan turns on or off automatically according to the coolant temperature.

ECB02401


### **NOTICE**

- **The engine may overheat if the ATV is overloaded. Reduce the load to specification.**
- **The engine may overheat if mud or dirt has accumulated on the radiator. Gently clean the radiator. (See page 9-1.)**
- **Continuous use while the warning light is on will damage the engine.**

EBU29943

### **Engine trouble warning light “”**

This warning light comes on or flashes when an electrical circuit monitoring the engine is not working correctly. When this occurs, have a Yamaha dealer check the self-diagnosis system.

The electrical circuit of the warning light can be checked by turning the key to “” (on). The warning light should come on for a few seconds, and then go off.



If the warning light does not come on initially when the key is turned to “ I ” (on), or if the warning light remains on, have a Yamaha dealer check the electrical circuit.

EBU30571

### **Electric Power Steering warning light “EPS” (for EPS model)**

This warning light comes on when the key is turned to “ I ” (on), and then goes off once the engine is started. If the warning light remains on or comes on after the engine is started, the EPS system may not be working correctly. When this occurs, have a Yamaha dealer check the EPS system.

The electrical circuit of the warning light can be checked by turning the key to “ I ” (on). If the warning light does not come on, have a Yamaha dealer check the electrical circuit.

### **TIP**

- If the engine is stopped using the engine stop switch and the key is in the “ I ” (on) position, the EPS warning light comes on to indicate that the power assistance for the steering is not functioning.

- If the steering load is too heavy (i.e., excessive steering use when the ATV is traveling at a slow speed), the power assist is reduced to protect the EPS motor from overheating.

EBU17955

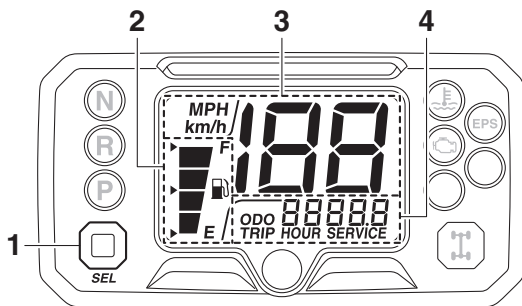
### **Four-wheel drive indicator light “4WD”**

This indicator light comes on when the drivetrain is set to “4WD” (four-wheel drive).

### **TIP**

Due to the synchronizing mechanism in the differential gear case, the light may not come on until the ATV starts moving.

## Display unit



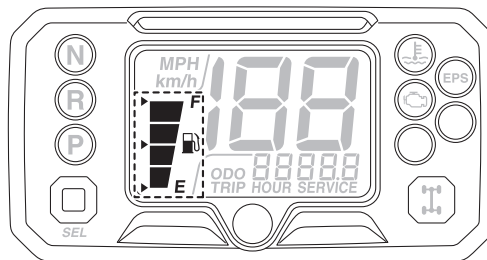
1. Select button "SEL"
2. Fuel gauge
3. Speedometer
4. Multi-function display

### Speedometer

The speedometer shows the vehicle's traveling speed. The speedometer can be set to "MPH" or "km/h", and the odometer and tripmeter units will switch to miles or kilometers accordingly.

To switch the display units: turn the key to "⊙" (off), then hold the select button "SEL" pushed and turn the key to "⏻" (on).

## Fuel gauge

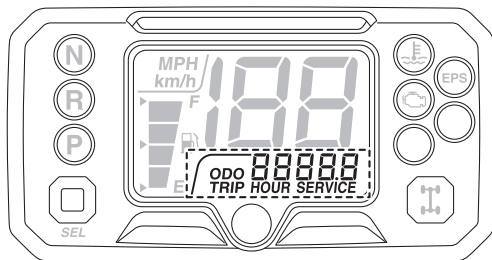


The fuel gauge indicates the amount of fuel in the fuel tank. The display segments of the fuel gauge disappear from "F" (full) towards "E" (empty) as the fuel level decreases. When the last segment starts flashing, refuel as soon as possible.

### TIP

This fuel gauge is equipped with a self-diagnosis system. If a problem is detected, all the display segments will flash repeatedly. If this occurs, have a Yamaha dealer check the vehicle.

## Multi-function display



Push the select button “SEL” to switch the display between the odometer “ODO”, the tripmeter “TRIP”, the service tripmeter “SERVICE”, and the hour meter “HOUR” in the following order:

ODO → TRIP → SERVICE → HOUR → ODO

### Odometer and tripmeter

The odometer shows the total distance traveled by the vehicle.

The tripmeter shows the distance traveled since it was last reset.

To reset the tripmeter, push the select button “SEL” for one second.

### TIP

- The odometer will lock at 99999.
- The tripmeter will reset and continue counting after 9999.9 is reached.

### Service tripmeter

The service tripmeter shows the distance traveled since it was reset at the last maintenance.

To reset the service tripmeter, push the select button “SEL” for one second.

### TIP

The service tripmeter will reset and continue counting after 9999.9 is reached.

### Hour meter

The hour meter shows the total time the engine has been running.

EBU30761

### Self-diagnosis device

This model is equipped with a self-diagnosis device for various electrical circuits.

If a problem is detected in any of those circuits, the engine trouble warning light will come on or flash. If this occurs, have a Yamaha dealer check the vehicle.

ECB01181

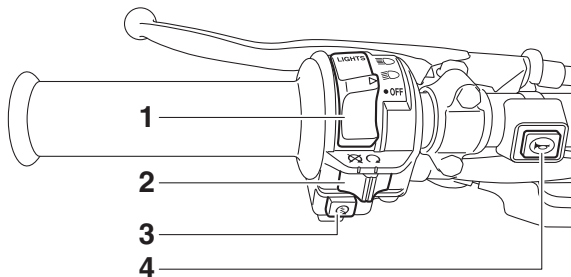
## NOTICE

To prevent engine damage, be sure to consult a Yamaha dealer as soon as possible if this occurs.

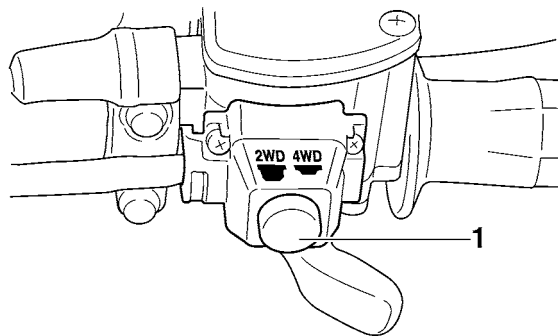
4

EBU18067

## Handlebar switches



1. Light switch “ $\equiv$ ○/ $\equiv$ ○/OFF”
2. Engine stop switch “ $\otimes$ / $\circ$ ”
3. Start switch “ $\otimes$ ”
4. Horn switch “ $\otimes$ ”



1. On-Command drive switch “2WD/4WD”

EBU18081

### Engine stop switch “ $\otimes$ / $\circ$ ”

Set this switch to “ $\circ$ ” before starting the engine. The engine stop switch controls the ignition and stops the engine when it is running. Use this switch to stop the engine in an emergency situation. The engine will not start or run when this switch is set to “ $\otimes$ ”.



EBU18102

### Start switch “ $\otimes$ ”

Push this switch to crank the engine with the starter. See the starting instructions on page 6-1 prior to starting the engine.

EBU34123

### Light switch “//OFF”

Set this switch to “” to turn on the left and right headlights (low beams) and the taillight. Set the switch to “” to turn on the left and right headlights (high beams), the handlebar-mounted light (YFM45KPXK / YFM45KPHK / YFM45KPLK), and the taillight. Set the switch to “OFF” to turn off all the lights.

ECB00046

### NOTICE

**Do not use the headlights with the engine turned off for an extended period of time. The battery may discharge to the point that the starter will not have enough power to crank the engine. If this should happen, remove the battery and recharge it. (See page 8-52.)**

EBU18171

### Horn switch “”

Press the switch to sound the horn.

EBU28434

### On-Command drive switch “2WD/4WD”

Stop the ATV and push this switch to change from two-wheel drive to four-wheel drive or vice versa. Select the appropriate drive according to the terrain and riding conditions.

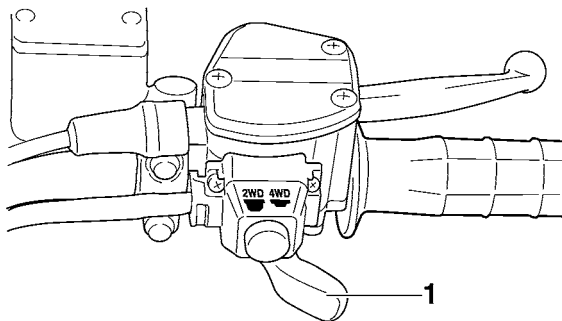
- “2WD” (two-wheel drive): power is supplied to the rear wheels only, giving a smooth ride and fuel economy.
- “4WD” (four-wheel drive): power is supplied to the front and rear wheels, giving maximum traction.

EWB00164



**Always stop the ATV before changing from two-wheel drive to four-wheel drive and vice versa. The ATV handles differently in two-wheel drive than in four-wheel drive in some circumstances. Changing from two-wheel drive to four-wheel drive or vice versa while moving may cause the ATV to unexpectedly handle differently. This could distract the operator and increase the risk of losing control and of causing an accident.**

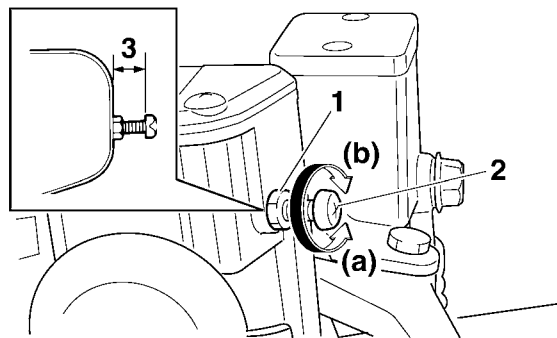
## Throttle lever



1. Throttle lever

Push the throttle lever to increase engine speed. Spring tension returns the lever to the rest position when released. Always check that the throttle lever returns normally before starting the engine.

## Speed limiter



1. Locknut
2. Adjusting screw
3. No more than 12 mm (0.47 in)

The speed limiter keeps the throttle from fully opening, even when the throttle lever is pushed to the maximum.

### Adjusting the speed limiter

1. Loosen the locknut.
2. To increase the maximum engine power available and the maximum speed of the ATV, turn the adjusting screw in direction (a). To decrease the maximum engine power available and the maximum speed of the ATV, turn

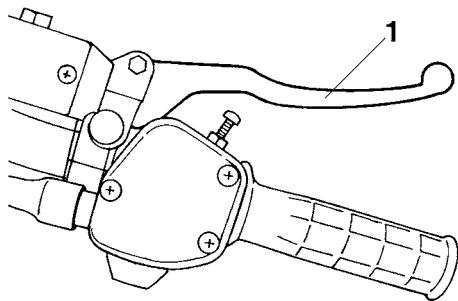
the adjusting screw in direction (b). Do not turn the adjusting screw out more than 12 mm (0.47 in) or the throttle cable could be damaged. Always make sure the throttle lever free play is adjusted to 3.0–5.0 mm (0.12–0.20 in). (See page 8-38.) **WARNING! Improper adjustment of the speed limiter and throttle could cause throttle cable damage or improper throttle operation. You could lose control, resulting in an accident.**

[EWB00242]

3. Tighten the locknut.

EBU18393

## Front brake lever

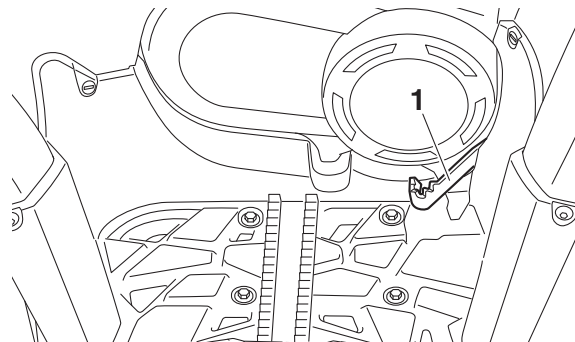


1. Front brake lever

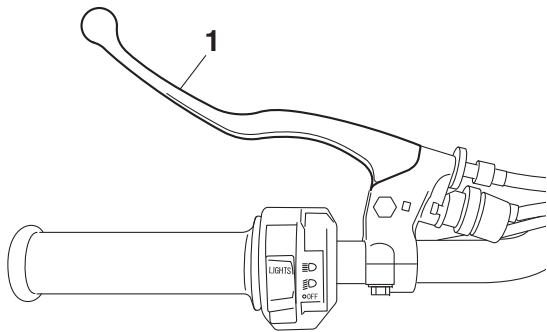
The front brake lever is located on the right handlebar. To apply the front brake, pull the brake lever toward the handlebar grip.

EBU18444

## Brake pedal and rear brake lever



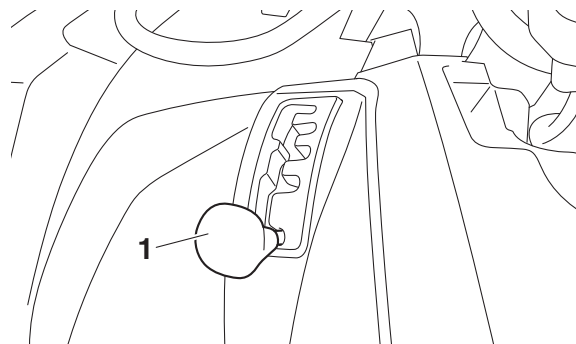
1. Brake pedal



1. Rear brake lever

The brake pedal is located on the right side of the ATV and the rear brake lever is located on the left handlebar. To apply the rear brake, push down on the brake pedal or pull the brake lever toward the handlebar grip.

## Drive select lever

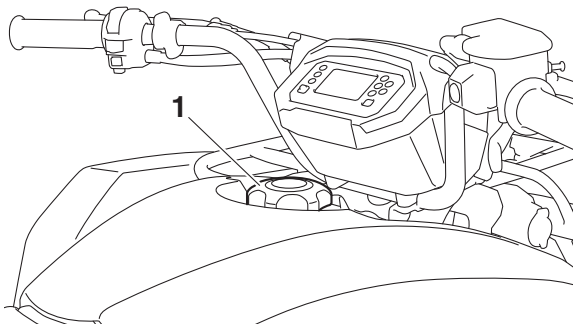


1. Drive select lever

The drive select lever is used to shift the transmission into the low-range, high-range, neutral, reverse and park positions. See page 6-2 for drive select lever operation.



## Fuel tank cap



1. Fuel tank cap

Remove the fuel tank cap by turning it counter-clockwise.

EWB02522

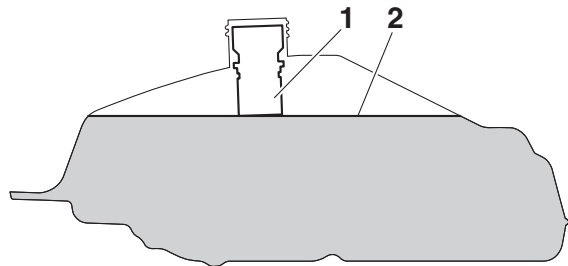
### **WARNING**

**Gasoline and gasoline vapors are extremely flammable. To avoid fires and explosions and to reduce the risk of injury when refueling, follow these instructions.**

1. Before refueling, turn off the engine and be sure that no one is sitting on the vehicle. Never refuel while smoking, or while in the vicinity

of sparks, open flames, or other sources of ignition such as the pilot lights of water heaters and clothes dryers.

2. Do not overfill the fuel tank. When refueling, be sure to insert the pump nozzle into the fuel tank filler hole. Stop filling when the fuel reaches the bottom of the filler tube. Because fuel expands when it heats up, heat from the engine or the sun can cause fuel to spill out of the fuel tank.



1. Fuel tank filler tube
2. Maximum fuel level

- Wipe up any spilled fuel immediately. **NOTICE: Immediately wipe off spilled fuel with a clean, dry, soft cloth, since fuel may deteriorate painted surfaces or plastic parts.** [ECB00982]
- Turn the fuel tank cap fully clockwise to make sure it is securely closed.

4

EBU38021

## Fuel

Make sure there is sufficient gasoline in the tank before starting off. Refuel if necessary.

EWB02532

### WARNING

**Gasoline is poisonous and can cause injury or death. Handle gasoline with care. Never siphon gasoline by mouth. If you should swallow some gasoline or inhale a lot of gasoline vapor, or get some gasoline in your eyes, see your doctor immediately. If gasoline spills on your skin, wash with soap and water. If gasoline spills on your clothing, change your clothes.**

Recommended fuel:

Regular unleaded gasoline (Gasohol [E10] acceptable)

Fuel tank capacity:

14 L (3.7 US gal, 3.1 Imp.gal)

Fuel reserve amount:

4.0 L (1.06 US gal, 0.88 Imp.gal)

## For Europe

1



1. EN228 fuel identification mark

### TIP

Confirm the gasoline pump nozzle has the same fuel identification mark.

## About the recommended fuel

If knocking or pinging occurs, try a different brand or higher octane gasoline.

For Europe, use RON 95 octane or higher.

For Oceania, use RON 91 octane or higher.

## TIP

Gasoline containing ethanol can be used if the ethanol content does not exceed 10% (E10). Gasoline containing methanol is not recommended because it can cause damage to the fuel system or vehicle performance problems.

ECB00071

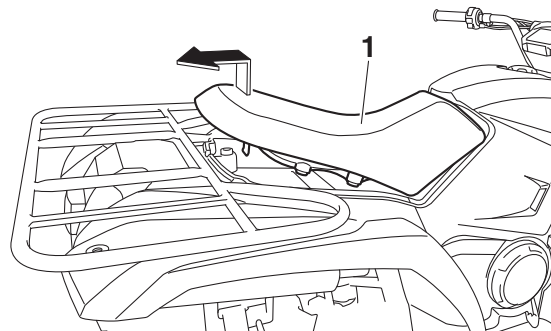
## NOTICE

**Use only unleaded gasoline. The use of leaded gasoline will cause severe damage to internal engine parts, such as the valves and piston rings, as well as to the exhaust system.**

EBU34141

## Seat

### To remove the seat

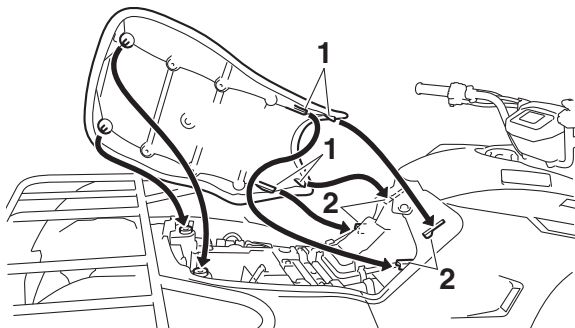


1. Seat

Pull up the seat at the rear, and then pull the seat rearward.

## To install the seat

4



1. Projection
2. Seat holder

Insert the projections on the front of the seat into the seat holders, and then push down on the seat at the rear to lock it in place. Make sure that the seat is securely fitted.

EBU37061

## Storage compartment

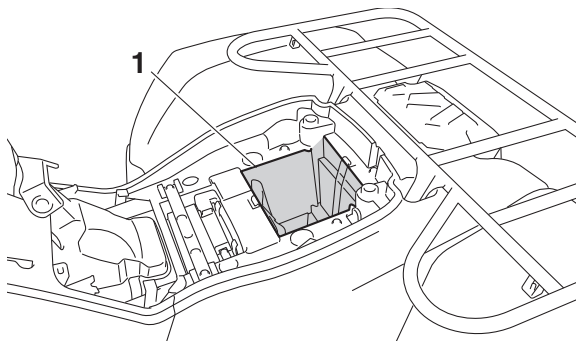
ECB00131

### NOTICE

**Do not store metal or sharply edged objects, like tools, in the storage compartment. If they must be stored, wrap them in appropriate cushion material to prevent damaging the storage compartment.**

The storage compartment is located under the seat. (See page 4-13.)

When storing any documents in the storage compartment, be sure to wrap them in a plastic bag so that they will not get wet. When washing the ATV, be careful not to let any water enter the storage compartment.



1. Storage compartment

- Do not exceed the load limit of 2.0 kg (4 lb) for the storage compartment.
- Do not exceed the maximum load of 240.0 kg (530 lb) for the ATV.

EBU18964

## Front carrier

- Do not exceed the load limit of 40.0 kg (88 lb) for the front carrier.
- Do not exceed the maximum load of 240.0 kg (530 lb) for the ATV.

EBU18974

## Rear carrier

- Do not exceed the load limit of 80.0 kg (176 lb) for the rear carrier.
- Do not exceed the maximum load of 240.0 kg (530 lb) for the ATV.

EBU1914A

## Front and rear shock absorbers

The spring preload can be adjusted to suit the rider's weight and the riding conditions.

EWB00401

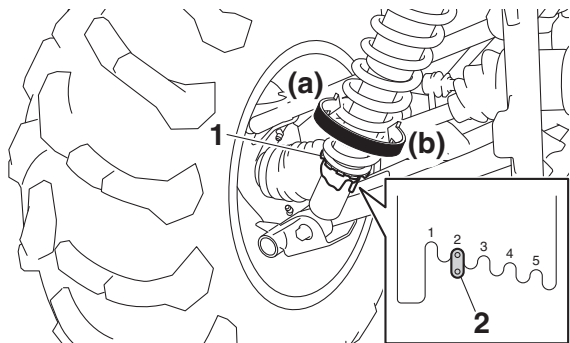


**Always adjust the shock absorber assemblies on the left and right side to the same setting. Uneven adjustment can cause poor handling and loss of stability, which could lead to an accident.**

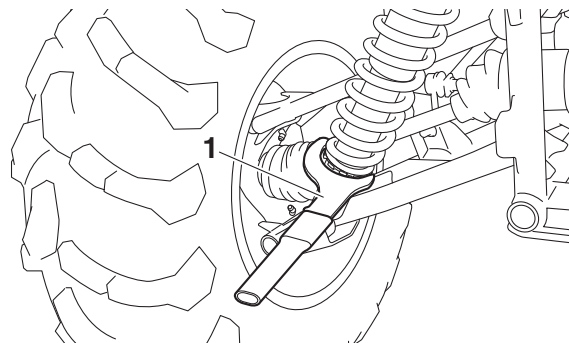
Adjust the spring preload as follows.

Turn the spring preload adjusting ring in direction (a) to increase the spring preload and thereby harden the suspension, and in direction (b) to decrease the spring preload and thereby soften the suspension.

Align the appropriate notch in the adjusting ring with the position indicator on the shock absorber.



1. Spring preload adjusting ring
2. Position indicator



1. Special wrench

**TIP** \_\_\_\_\_  
A special wrench can be obtained at a Yamaha dealer to make this adjustment.

---

Front spring preload setting:

Minimum (soft):

1

Standard:

2

Maximum (hard):

5

Rear spring preload setting:

Minimum (soft):

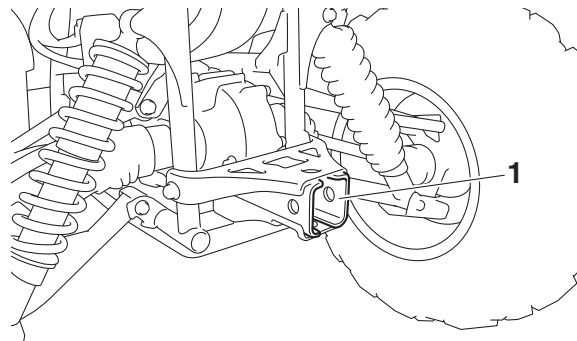
1

Standard:

2

Maximum (hard):

5



1. Trailer hitch receiver

4

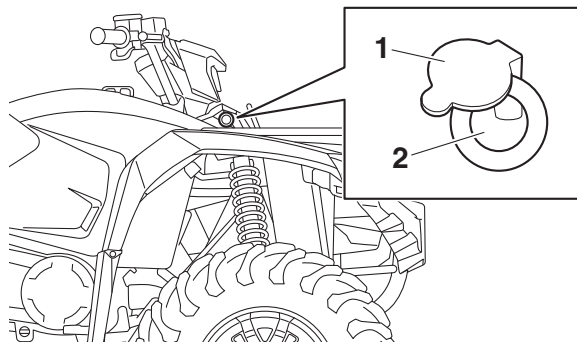
EBU28972

### **Trailer hitch (for equipped models)**

This ATV is equipped with a 5 cm (2 in) trailer hitch receiver.

Trailer towing equipment can be obtained at a Yamaha dealer. (See page 6-6 for precaution information.)

## Auxiliary DC jack



1. Auxiliary DC jack cap
2. Auxiliary DC jack

Auxiliary DC jack maximum capacity:  
10 A (120 W)

A 12-V accessory, such as a work light or radio with the proper adapter, can be used when the engine is running and the headlights are turned off.

1. Start the engine. (See page 6-1.)
2. Turn the headlights off. (See page 4-7.)
3. Turn the accessory off.
4. Open the auxiliary DC jack cap.
5. Insert the accessory power plug into the jack.

6. Turn the accessory on.

### TIP

- When inserting or removing the accessory power plug, turn the accessory off.
- When the auxiliary DC jack is not being used, cover it with the cap.

ECB00121

### NOTICE

- **Do not use accessories requiring more than the above maximum capacity. This may overload the circuit and cause the fuse to blow.**
- **If accessories are used without the engine running or with the headlights turned on, the battery will lose its charge and engine starting may become difficult.**
- **Do not use an automotive cigarette lighter or other accessories with a plug that gets hot because the jack can be damaged.**

EBU37290

### Winch pre-wiring

This vehicle is equipped with pre-wiring leads for a winch. Consult your Yamaha dealer for details.



# PRE-OPERATION CHECKS

Inspect your vehicle each time you use it to make sure the vehicle is in safe operating condition. Always follow the inspection and maintenance procedures and schedules described in the Owner's Manual.

EWB00482



**Failure to inspect or maintain the vehicle properly increases the possibility of an accident or equipment damage. Do not operate the vehicle if you find any problem. If a problem cannot be corrected by the procedures provided in this manual, have the vehicle inspected by a Yamaha dealer.**

5

Before using this vehicle, check the following points:

ITEM	ROUTINE	PAGE
<b>Fuel</b>	<ul style="list-style-type: none"> <li>• Check fuel level in fuel tank, and add recommended fuel if necessary.</li> <li>• Check fuel line for leakage. Correct if necessary.</li> </ul>	4-12, 5-3
<b>Engine oil</b>	<ul style="list-style-type: none"> <li>• Check oil level in engine, and add recommended oil to specified level if necessary.</li> <li>• Check ATV for oil leakage. Correct if necessary.</li> </ul>	5-3, 8-19
<b>Final gear oil</b>	<ul style="list-style-type: none"> <li>• Check ATV for oil leakage. Correct if necessary.</li> </ul>	5-3, 8-24
<b>Differential gear oil</b>	<ul style="list-style-type: none"> <li>• Check ATV for oil leakage. Correct if necessary.</li> </ul>	5-3, 8-27
<b>Coolant</b>	<ul style="list-style-type: none"> <li>• Check coolant level in reservoir, and add recommended coolant to specified level if necessary.</li> <li>• Check cooling system for leakage. Correct if necessary.</li> </ul>	5-3, 8-28

ITEM	ROUTINE	PAGE
<b>Front brake</b>	<ul style="list-style-type: none"> <li>• Check operation. If soft or spongy, have Yamaha dealer bleed hydraulic system.</li> <li>• Check brake pads for wear, and replace if necessary.</li> <li>• Check brake fluid level in reservoir, and add specified brake fluid to specified level if necessary.</li> <li>• Check hydraulic system for leakage. Correct if necessary.</li> </ul>	5-3, 8-39, 8-39, 8-41
<b>Rear brake</b>	<ul style="list-style-type: none"> <li>• Check operation, and correct if necessary.</li> <li>• Lubricate cables if necessary.</li> <li>• Check lever and pedal free play, and adjust if necessary.</li> </ul>	5-3, 8-39, 8-41
<b>Throttle lever</b>	<ul style="list-style-type: none"> <li>• Make sure that operation is smooth. Lubricate cable and lever housing if necessary.</li> <li>• Check lever free play, and adjust if necessary.</li> </ul>	5-4, 8-38
<b>Control cables</b>	<ul style="list-style-type: none"> <li>• Make sure that operation is smooth. Lubricate if necessary.</li> </ul>	8-48
<b>Wheels and tires</b>	<ul style="list-style-type: none"> <li>• Check wheel condition, and replace if damaged.</li> <li>• Check tire condition and tread depth. Replace if necessary.</li> <li>• Check air pressure. Correct if necessary.</li> </ul>	5-4
<b>Brake pedal</b>	<ul style="list-style-type: none"> <li>• Make sure that operation is smooth. Lubricate pedal pivoting point if necessary.</li> </ul>	8-49
<b>Brake levers</b>	<ul style="list-style-type: none"> <li>• Make sure that operation is smooth. Lubricate lever pivoting points if necessary.</li> </ul>	8-48
<b>Axle boots</b>	<ul style="list-style-type: none"> <li>• Check for cracks or damage, and replace if necessary.</li> </ul>	8-46
<b>Chassis fasteners</b>	<ul style="list-style-type: none"> <li>• Make sure that all nuts, bolts and screws are properly tightened.</li> </ul>	5-7
<b>Instruments, lights and switches</b>	<ul style="list-style-type: none"> <li>• Check operation, and correct if necessary.</li> </ul>	5-7

EBU38000

## Fuel

Make sure there is sufficient gasoline in the tank before starting off. Refuel if necessary. (See page 4-12.)

EBU19561

## Engine oil

Make sure that the engine oil is at the specified level. Add oil as necessary. (See page 8-19.)

EBU19591

## Final gear oil

Make sure that the final gear oil is at the specified level. Add oil as necessary. (See page 8-24.)

EBU19601

## Differential gear oil

Make sure that the differential gear oil is at the specified level. Add oil as necessary. (See page 8-27.)

EBU19632

## Coolant

Make sure that the coolant is at the specified level. Add coolant as necessary. (See page 8-28.)

## TIP

The coolant level must be checked on a cold engine since the level varies with engine temperature.

EBU28533

## Front and rear brakes

### Brake levers and brake pedal

- Check that there is no free play in the front brake lever. If there is free play, have a Yamaha dealer check the brake system.
- Check for correct free play in the rear brake lever and brake pedal. If the free play is incorrect, adjust it. (See page 8-41.)
- Check operation of the levers and pedal. They should move smoothly and there should be a firm feeling when the brake is applied. If not, have a Yamaha dealer check them.

### Brake fluid level (front brake)

Check the brake fluid level. Add fluid if necessary. (See page 8-39.)

Specified brake fluid: DOT 4
---------------------------------

### Brake fluid leakage (front brake)

Check to see if any brake fluid is leaking out of the hose, joint or brake fluid reservoir of the front brake. Apply the brake firmly for one minute. If the lever moves slowly inward, there may be a leak in the brake system. If there is any leakage, the brake system should be checked by a Yamaha dealer.

### Brake operation

Test the brakes at slow speed after starting out to make sure they are working properly. If the brakes do not provide proper braking performance, check the brake pads and friction plates for wear. (See page 8-39.)

EBU19762

### Throttle lever

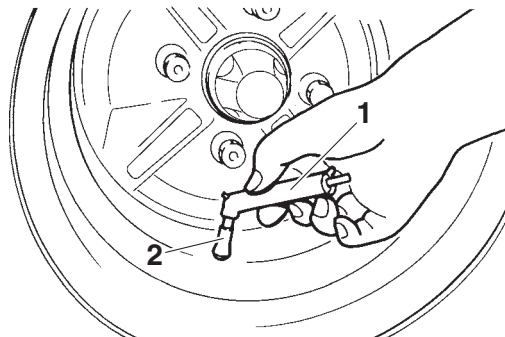
Check the operation of the throttle lever. It must open smoothly and spring back to the idle position when released. Have a Yamaha dealer correct if necessary.

EBU38060

### Tires

Check and adjust the tire pressure before each ride. Check tires for wear and damage.

### Tire pressure



1. Low-pressure tire gauge
2. Tire air valve

A low-pressure tire gauge is included as standard equipment. Make two measurements of the tire pressure and use the second reading. Dust or dirt in the gauge could cause the first reading to be incorrect.

Tire pressure must be checked and set when the tires are cold. The tire pressure should be the same on both sides, and must be adjusted according to vehicle loading conditions. Set the tire pressure as specified below. **WARNING! Operation of this vehicle with improper tire pressure may cause severe injury or death from loss of**

**control or rollover. Tire pressure below the minimum specified could also cause the tire to dislodge from the rim under severe driving conditions.** [EWB04120]

**OPERATING TIRE PRESSURE (cold):**

**For Oceania**

FRONT: (Recommended)

35.0 kPa (0.350 kgf/cm<sup>2</sup>, 5.0 psi)  
(YFM45KDXK\_AUS/NZL,  
YFM45KPXK\_AUS/NZL)

REAR: (Recommended)

30.0 kPa (0.300 kgf/cm<sup>2</sup>, 4.4 psi)  
(YFM45KDXK\_AUS/NZL,  
YFM45KPXK\_AUS/NZL)

Front: (Minimum)

32.0 kPa (0.320 kgf/cm<sup>2</sup>, 4.6 psi)  
(YFM45KDXK\_AUS/NZL,  
YFM45KPXK\_AUS/NZL)

Rear: (Minimum)

27.0 kPa (0.270 kgf/cm<sup>2</sup>, 3.9 psi)  
(YFM45KDXK\_AUS/NZL,  
YFM45KPXK\_AUS/NZL)

**For Europe**

NO Load: (Front wheel)

35.0 kPa (0.350 kgf/cm<sup>2</sup>, 5.0 psi)  
(YFM45KDHK,  
YFM45KDXK\_EUR/FRA/GBR,  
YFM45KPHK, YFM45KPLK,  
YFM45KPXK\_EUR/FRA/GBR)

NO Load: (Rear wheel)

30.0 kPa (0.300 kgf/cm<sup>2</sup>, 4.4 psi)  
(YFM45KDHK,  
YFM45KDXK\_EUR/FRA/GBR,  
YFM45KPHK, YFM45KPLK,  
YFM45KPXK\_EUR/FRA/GBR)

WITH Load: (Front wheel)

50.0 kPa (0.500 kgf/cm<sup>2</sup>, 7.3 psi)  
(YFM45KDHK,  
YFM45KDXK\_EUR/FRA/GBR,  
YFM45KPHK, YFM45KPLK,  
YFM45KPXK\_EUR/FRA/GBR)

WITH Load: (Rear wheel)

50.0 kPa (0.500 kgf/cm<sup>2</sup>, 7.3 psi)  
(YFM45KDHK,  
YFM45KDXK\_EUR/FRA/GBR,  
YFM45KPHK, YFM45KPLK,  
YFM45KPXK\_EUR/FRA/GBR)

## Maximum load:

Vehicle:

240.0 kg (530 lb)

The vehicle's maximum load is the combined weight of the rider, accessories, cargo, and trailer tongue weight.

## Tire information

This ATV is equipped with tubeless tires and tire air valves. After extensive tests, only the tires listed below are approved for this model by Yamaha.

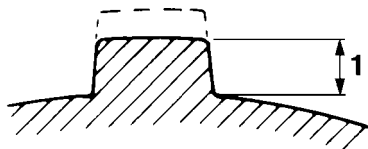
EWB02552



**Use of improper tires on this ATV may cause loss of control, increasing your risk of an accident.**

## Tire inspection

5



### 1. Tire tread depth

When the tire tread depth has worn to 3 mm (0.12 in) replace the tire. If the tire has a nail or glass fragments in it, or if the sidewall is cracked, replace the tire.

Front:

Manufacturer/model:

CHENG SHIN/CU905

Size:

AT25 x 8-12

Rear:

Manufacturer/model:

CHENG SHIN/CU906

Size:

AT25 x 10-12

Maximum tire seating pressure:

Front

250 kPa (2.5 kgf/cm<sup>2</sup>, 36 psi)

Rear

250 kPa (2.5 kgf/cm<sup>2</sup>, 36 psi)

### **Aftermarket tires and rims**

The tires and rims that came with your ATV were designed to match the performance capabilities and to provide the best combination of handling, braking, and comfort. Other tires, rims, sizes, and combinations may not be appropriate.

EBU19841

### **Chassis fasteners**

Make sure that all nuts, bolts and screws are properly tightened.

EBU19851

### **Instruments, lights and switches**

Check that all instruments, lights and switches are working properly. Correct if necessary.

# OPERATION

Read the Owner's Manual carefully before riding the ATV. If there is a control or function you do not understand, ask your Yamaha dealer.

EWB00632

## **WARNING**

**Read the Owner's Manual carefully to become familiar with all controls in order to help prevent any loss of control, which could cause an accident or injury.**

6

EBU30564

## **Starting the engine**

This model is equipped with an ignition circuit cut-off system. To enable starting one of the following conditions must be met:

- The drive select lever is in the neutral or park position.
- The rear brake lever or brake pedal is applied.

## **TIP**



It is recommended to shift into neutral or park and apply the rear brake when starting the engine.

ECB00151

## **NOTICE**

**See the "Engine break-in" section on page 6-4 prior to operating the engine for the first time.**

## **To start the engine**

1. Turn the key to "  " (on) and the engine stop switch to "  " (run).
  - The coolant temperature warning light and the engine trouble warning light should come on for a few seconds, then go off.
  - For EPS-equipped models, the electric power steering warning light should come on and stay on until the engine is started.

ECB00826

## **NOTICE**

**To avoid possible damage, do not operate the ATV if a warning light does not work as described above.**

2. Apply the brake pedal, then shift the drive select lever into the neutral or park position. The corresponding indicator light should come



on. If the indicator light does not come on, have a Yamaha dealer check the electrical circuit.

3. Apply the rear brake lever or brake pedal.
4. Release the throttle lever, then push the start switch to crank the engine with the starter. Release the start switch when the engine has started.

### **TIP**

If the engine fails to start, release the start switch. Wait a few seconds before the next cranking attempt to allow battery voltage to restore. Do not crank the engine more than 10 seconds on any single attempt.

ECB00164

### **NOTICE**

**For maximum engine life, never accelerate hard when the engine is cold!**

EBU36230

## **Operating the drive select lever and driving in reverse**

ECB03330

### **NOTICE**

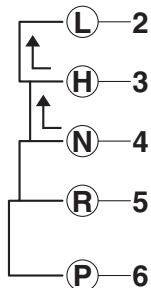
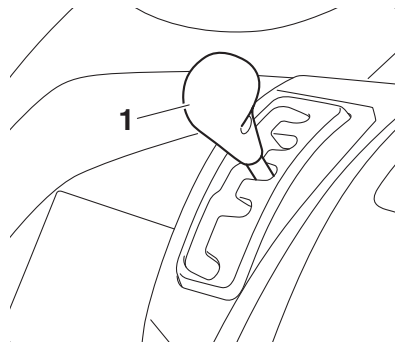
**Do not shift without coming to a complete stop and waiting for the engine to return to normal idle speed. Damage to the engine or drivetrain may occur.**

### **Shifting: Neutral to High-range and High-range to Low-range**

1. Bring the ATV to a complete stop.
2. Apply the brake pedal, and then shift by moving the drive select lever along the shift guide.

### **TIP**

Make sure that the drive select lever is completely shifted into position.



6

1. Drive select lever
2. L (Low-range)
3. H (High-range)
4. N (Neutral)
5. R (Reverse)
6. P (Park)

3. Release the brake pedal, and then open the throttle lever gradually.

### Shifting: Neutral to Reverse and Reverse to Park

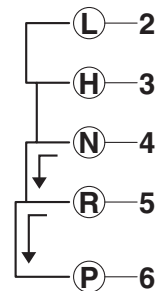
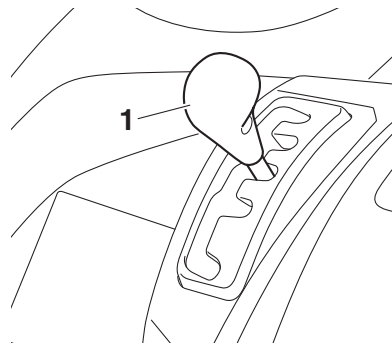
EWB00721



**Improper operation in reverse could make you hit an obstacle or even a person behind you, resulting in serious injury. When you shift into**

**reverse, make sure there are no people or obstacles behind you. When it is safe to proceed, go slowly.**

1. Bring the ATV to a complete stop.
2. Apply the brake pedal.
3. Shift from neutral to reverse or from reverse to park and vice versa by moving the drive select lever along the shift guide.



1. Drive select lever
2. L (Low-range)
3. H (High-range)
4. N (Neutral)
5. R (Reverse)
6. P (Park)

## TIP

---

- When in reverse, the reverse indicator light should come on. If the indicator light does not come on, have a Yamaha dealer check the electrical circuit.
  - Due to the synchronizing mechanism in the engine, the indicator light may not come on until the ATV starts moving.
- 

4. Check behind for people or obstacles, and then release the brake pedal.
5. Open the throttle lever gradually and continue to watch to the rear while backing.

EBU36861

## Engine break-in

There is never a more important period in the life of your engine than the first 240 km (150 mi) or 20 hours of operation. For this reason, you should follow the engine break-in instructions carefully.

Since the engine is brand new, do not put an excessive load on it for the first 240 km (150 mi) or 20 hours. During this period the various parts in the engine wear and polish themselves to the correct operating clearances. Avoid prolonged full-throttle operation or any condition that might result in engine overheating.

## 0–120 km (0–75 mi) or 0–10 hours

Avoid prolonged operation above 1/2 throttle. Vary the speed of the ATV regularly. Do not operate it at one set throttle position.

## 120–240 km (75–150 mi) or 10–20 hours

Avoid prolonged operation above 3/4 throttle. Rev the engine freely, but do not use full throttle at any time.

## 240 km (150 mi) or 20 hours and beyond

The ATV can now be operated normally.

ECB00221

## NOTICE

---

**If any engine trouble should occur during the engine break-in period, immediately have a Yamaha dealer check the ATV.**

---

EBU27322

## Parking

When parking the ATV, stop the engine, and shift the drive select lever into the park position.

## Parking on a slope

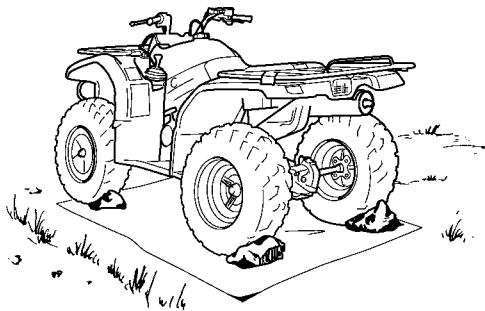
### **WARNING**

Avoid parking on hills or other inclines. Parking on a hill or other incline could cause the ATV to roll out of control, increasing the chance of an accident. If you must park on an incline, place the ATV transversely across the incline, stop the engine, shift the drive select lever to the park position, and then block the front and rear wheels with rocks or other objects.

6

Do not park the ATV at all on hills that are so steep you could not walk up them easily.

1. Bring the ATV to a stop by applying the brakes.
2. Stop the engine.
3. With the brake pedal applied, shift the drive select lever to the park position.



## Accessories and loading

### **Genuine Yamaha Accessories**

Choosing accessories for your ATV is an important decision. Genuine Yamaha Accessories, which are available only from a Yamaha dealer, have been designed, tested, and approved by Yamaha for use on your ATV. Many companies with no connection to Yamaha manufacture parts and accessories or offer other modifications for Yamaha vehicles. Yamaha is not in a position to test the products that these aftermarket companies produce. Therefore, Yamaha can neither endorse nor recommend the use of accessories not

sold by Yamaha or modifications not specifically recommended by Yamaha, even if sold and installed by a Yamaha dealer.

### **Aftermarket parts, accessories, and modifications**

While you may find aftermarket products similar in design and quality to genuine Yamaha Accessories, recognize that some aftermarket accessories or modifications are not suitable because of potential safety hazards to you or others. Installing aftermarket products or having other modifications performed to your ATV that change any of the vehicle's design or operation characteristics can put you and others at greater risk of serious injury or death. You are responsible for injuries related to changes in the vehicle.

Keep the following in mind when considering an accessory or operating an ATV which has accessories.

- Accessories should be rigidly and securely mounted. An accessory which can shift position or come off while you are riding could affect your ability to control the ATV.
- Do not mount an accessory where it could interfere with your ability to control the ATV. Examples include (but are not limited to) a heavy or

bulky object attached to the handlebars which could make steering difficult, an accessory that limits your ability to move around on the seat, or one that limits your view.

- Use extra caution when riding an ATV with accessories. The ATV may handle differently than it does without accessories.

EBU21043

### **Loading**

EWB00821



**Never exceed the stated load capacity for this ATV. Overloading this ATV or carrying or towing cargo improperly could cause changes in ATV handling which could lead to an accident. Cargo should be properly distributed and securely attached. Reduce speed when carrying cargo or pulling a trailer. Allow greater distance for braking.**

Cargo or a trailer can change the stability and handling of an ATV.

You must use common sense and good judgment when carrying cargo or towing a trailer. Keep the following points in mind:

- Never exceed the weight limits shown. An overloaded ATV can be unstable.

#### MAXIMUM LOADING LIMIT

ATV loading limit (total weight of rider, cargo, accessories, and tongue):

240.0 kg (530 lb)

Front carrier:

40.0 kg (88 lb)

Rear carrier:

80.0 kg (176 lb)

Storage compartment:

2.0 kg (4 lb)

Trailer hitch:

Pulling load (total weight of trailer and cargo):

5880 N (600 kgf, 1322 lbf)

Tongue weight (vertical weight on trailer hitch point):

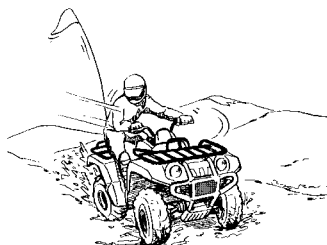
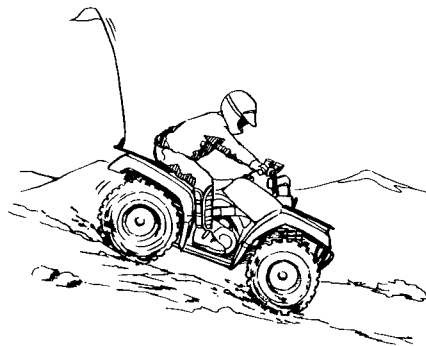
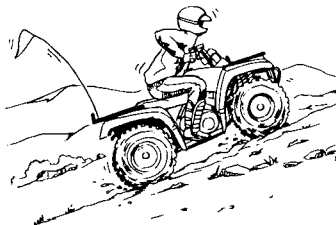
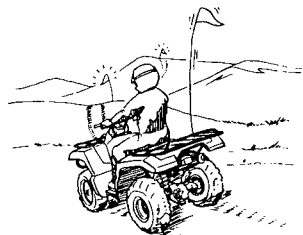
147 N (15 kgf, 33 lbf)

- Do not exceed the maximum tongue weight. You can measure tongue weight with a bathroom scale. Put the tongue of the loaded trailer on the scale with the tongue at hitch height. Adjust the load in the trailer, if necessary, to reduce

the weight on the hitch. If you are carrying cargo and towing a trailer, include the tongue weight in the maximum ATV load limit.

- Load cargo on the carriers as close to the center of the ATV as possible. Put cargo at the rear of the front carrier, at the front of the rear carrier, and center it.
- Tie down cargo securely to the carriers. Make sure cargo in the trailer cannot move around. A shifting load can cause an accident.
- Make sure the load does not interfere with controls or your ability to see where you are going.
- Ride more slowly than you would without a load. The more weight you carry, the slower you should go. Although conditions vary, it is good practice not to exceed low range whenever you are carrying heavier loads or when towing a trailer.
- Allow more braking distance. A heavier ATV takes longer to stop.
- Avoid making sharp turns unless at very slow speeds.
- Avoid hills and rough terrain. Choose terrain carefully. Added weight affects the stability and handling of the ATV.

# RIDING YOUR ATV



## GETTING TO KNOW YOUR ATV

This ATV is for recreation and utility use. This section, Riding your ATV, provides general ATV riding instructions for recreational riding. The skills and techniques described in this section, however, are appropriate for all types of riding. Riding your ATV requires special skills acquired through practice over a period of time. Take the time to learn the basic techniques well before attempting more difficult maneuvers.

7

Riding your new ATV can be a very enjoyable activity, providing you with hours of pleasure. But it is essential to familiarize yourself with the operation of the ATV to achieve the skill necessary to enjoy riding safely. Before you begin to ride, be sure you have read this Owner's Manual completely and understand the operation of the controls. Pay particular attention to the safety information on pages 2-1–2-6. Also read all warning and notice labels on your ATV.

## RIDE WITH CARE AND GOOD JUDGMENT

Get training if you are inexperienced.

EWB01382

### WARNING

- **Do not operate this ATV or allow anyone else to operate it without proper instruction. The risk of an accident is greatly increased if the operator does not know how to operate the ATV properly in different situations and on different types of terrain.**
- **Do not operate this ATV at speeds too fast for your skills or the conditions, as this increases your chances of losing control of the ATV and an accident. Always go at a speed that is proper for the terrain, visibility and operating conditions, and your experience.**

---

Beginning and inexperienced operators should regularly practice the skills and the operating techniques described in this Owner's Manual.

**Riding your ATV requires skills acquired through practice over a period of time.**

Do not attempt to operate at maximum performance until you are totally familiar with the ATV's handling and performance characteristics. Take



the time to learn the basic techniques well before attempting more difficult maneuvers. Become familiar with this ATV at slow speeds first, even if you are an experienced operator.

**Not recommended for children under 16 years of age.**

EWB01391



**A child under 16 should never operate an ATV with engine size greater than 90 cc. Use by children of ATVs that are not recommended for their age can lead to severe injury or death of the child.**

---



**This ATV is designed to carry the operator and cargo only – passengers prohibited.**

The long seat is to allow the operator to shift position as needed during operation. It is not for carrying passengers. **WARNING! Never carry a passenger. Carrying a passenger on this ATV greatly reduces your ability to balance and control this ATV. You could have an accident, resulting in severe injury or death to you and/or your passenger.** [EWB01402]



## Apparel

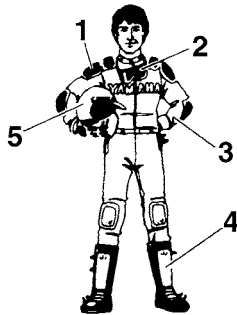
Always wear the following to reduce risk of injury in an accident:

- Approved motorcycle helmet that fits properly
- Eye protection (goggles, helmet face shield, or protective eyewear)
- Over-the-ankle boots, gloves, long-sleeved shirt or jacket, and long pants

An approved helmet and other personal protective equipment can reduce the severity of injuries in an accident. **WARNING! Operating without an approved motorcycle helmet increases your chances of a severe head injury or death in the event of an accident.** [EWB01412]

Wear eye protection when operating your ATV to reduce the risk of a serious accident or injury. Eye protection, such as a face shield or goggles, may reduce the risk of foreign material getting in your eyes and help prevent loss of vision. **WARNING! Operating without eye protection can result in an accident and increases your chances of a severe injury in the event of an accident.**

[EWB02612]



1. Protective clothing
2. Goggles
3. Gloves
4. Boots
5. Helmet

### **Do not operate after or while consuming alcohol or drugs.**

The operator's performance capability is reduced by the influence of alcohol or drugs. Consuming alcohol or drugs could seriously affect your judgment, cause you to react more slowly, and affect your balance and perception. **WARNING! Never consume alcohol or drugs before or while driving this ATV. You increase your chance of an accident.** [EWB01422]



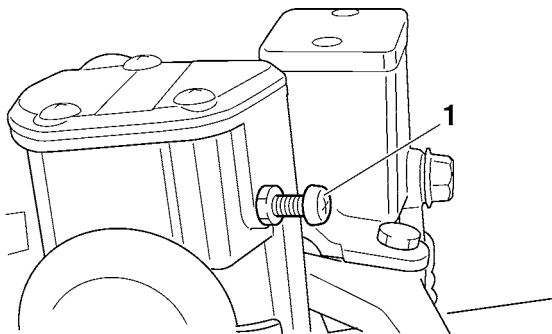
### **Pre-operation checks**

Always inspect your ATV each time you use it to make sure the ATV is in safe operating condition. Perform the pre-operation checks listed on page 5-1. Always follow the inspection and maintenance procedures and schedules described in the Owner's Manual. **WARNING! Failure to inspect the ATV before riding it or failure to maintain it properly increases the possibility of an accident and equipment damage.** [EWB01433]

### **Speed limiter**

For riders less experienced with this model, the throttle lever housing is equipped with a speed limiter. The speed limiter keeps the throttle from

fully opening, even when the throttle lever is pushed to the maximum. Turning in the adjusting screw limits the maximum engine power available and decreases the maximum speed of the ATV. Turning in the adjusting screw decreases top speed, and turning it out increases top speed. (See page 4-8.)



1. Adjusting screw

## Loading and accessories

EWB01463



**WARNING**

**Improper loading or towing can increase the risk of loss of control, an overturn, or other accident. To reduce the risk of an accident:**

- **Do not exceed the maximum loading limits for the vehicle (see “MAXIMUM LOADING LIMIT” in this section or vehicle labeling).**
- **Keep weight on racks centered side to side, and as low as possible. Be sure cargo is secured – a loose load could change handling unexpectedly.**
- **Make sure the load does not interfere with your control or ability to see where you are going.**
- **Tie down cargo in the trailer securely. Make sure cargo in the trailer cannot move around. A shifting load can cause an accident.**
- **Reduce speed and allow more room to stop. A heavier vehicle takes longer to stop.**
- **Avoid hills and rough terrain. Choose terrain carefully. Use extreme caution when towing or carrying a load on inclines.**
- **Turn gradually and go slowly.**

---

Take extra precautions when driving with a load or trailer. Follow these instructions and always use common sense and good judgment when carrying cargo or towing a trailer.

#### MAXIMUM LOADING LIMIT

ATV loading limit (total weight of cargo, rider, accessories, and tongue):

240.0 kg (530 lb)

Front carrier:

40.0 kg (88 lb)

Rear carrier:

80.0 kg (176 lb)

Storage compartment:

2.0 kg (4 lb)

Trailer hitch:

Pulling load (total weight of trailer and cargo):

5880 N (600 kgf, 1322 lbf)

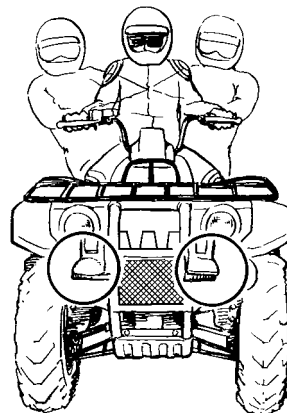
Tongue weight (vertical weight on trailer hitch point):

147 N (15 kgf, 33 lbf)

Drive more slowly than you would without a load. The more weight you carry, the slower you should go. Although conditions vary, it is good practice to drive slowly (shift into first gear or low drive if available on this model) whenever you are carrying heavier loads or when towing a trailer.

#### During operation

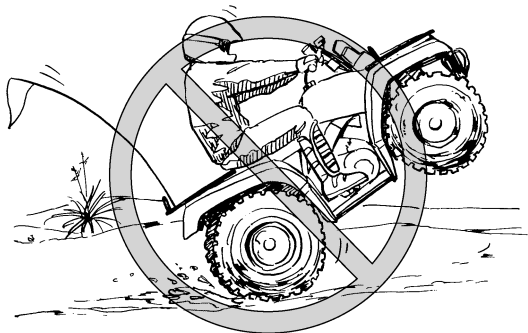
Always keep your feet on the footboards during operation; otherwise, they may contact the rear wheels. **WARNING! Removing even one hand or foot can reduce your ability to control the ATV or could cause you to lose your balance and fall off of the ATV. If you remove a foot from a footboard, your foot or leg may come into contact with the rear wheels, which could injure you or cause an accident.** [EWB01472]



Avoid wheelies and jumping. **WARNING! Attempting wheelies, jumps, and other stunts increases the chance of an accident, including**

an overturn. Never attempt stunts, such as wheelies or jumps. Don't try to show off.

[EWB01482]



7

### Modifications and accessories

Never modify this ATV through improper installation or use of accessories or other modification. All parts and accessories added to this ATV should be genuine Yamaha or equivalent components designed for use on this ATV and should be installed and used according to instructions. If you have questions, consult an authorized ATV dealer.

**WARNING! Operating this ATV with improper modifications may cause changes in handling which in some situations could lead to an accident.** [EWB01492]

### Exhaust system

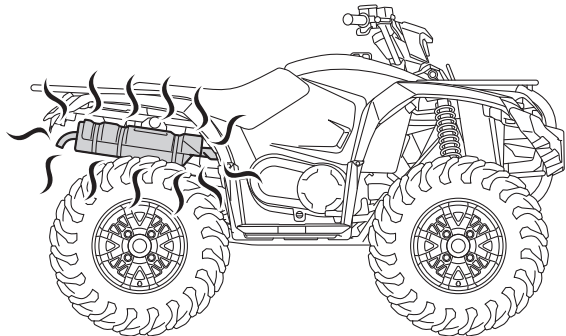
EWB01502

#### **WARNING**

- **Dry grass or brush or other combustible material accumulated around the engine area could catch fire. Do not operate, idle, or park the ATV in dry grass or other dry ground cover. Keep the engine area free of dry grass, brush, or other combustible material.**
- **Someone touching the exhaust system during or after operation could be burned. Do not touch the hot exhaust system. Do not park the ATV in a place where others might be likely to touch it.**

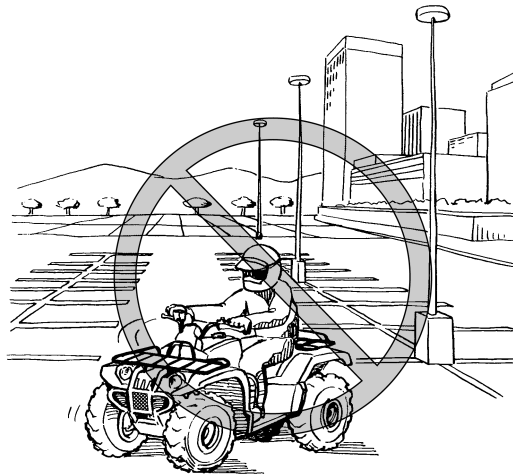
The muffler and other engine parts become extremely hot during operation and remain hot after the engine has stopped. To reduce the risk of fire during operation or after leaving the ATV, do not let brush, grass and other materials collect under the vehicle, near the muffler or exhaust pipe, or next to other hot parts. Check under the vehicle after operating in areas where combustible materials may have collected. Do not idle or park the vehicle in long dry grass or other dry ground cover.

To prevent burns, avoid touching the exhaust system. Park the ATV in a place where pedestrians or children are not likely to touch it.



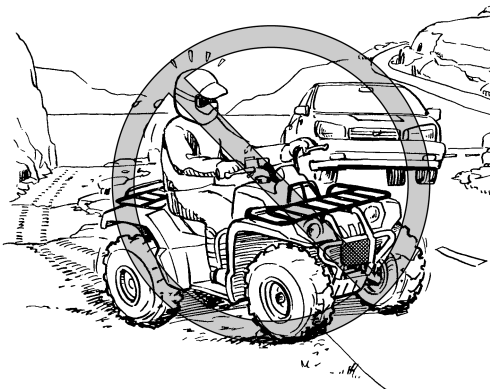
## BE CAREFUL WHERE YOU RIDE

This ATV is designed for use on unpaved surfaces only. **WARNING! Paved surfaces may seriously affect handling and control of the ATV, and may cause the ATV to go out of control. Always avoid paved surfaces, including sidewalks, driveways, parking lots and streets.** [EWB01512]



While riding on unpaved public streets or roads may be legal in your area, such operation can increase the risk of collision with other vehicles. Watch carefully for other vehicles. Make sure you

know your country's laws and regulations before you ride on unpaved public streets or roads. Do not ride on any paved public street, road or motorway. **WARNING! Never operate this ATV on any paved street, paved road or motorway. You can collide with another vehicle.** [EWB01522]



7

Know the terrain where you ride. Ride cautiously in unfamiliar areas. Stay alert for holes, rocks, or roots in the terrain, and other hidden hazards which may cause the ATV to upset. **WARNING! The ATV could go out of control if you do not have enough time to react to hidden rocks, bumps, or holes. Go slowly and be extra care-**

**ful when operating on unfamiliar terrain. Always be alert to changing terrain conditions when operating the ATV.** [EWB01532]



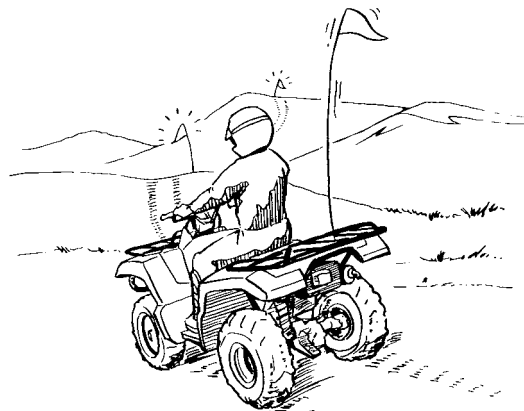
Do not operate on rough, slippery, or loose terrain until you have learned and practiced the skills necessary to control the ATV on such terrain. Always be especially cautious on these kinds of terrain. **WARNING! Failure to use extra care when operating on excessively rough, slippery, or loose**



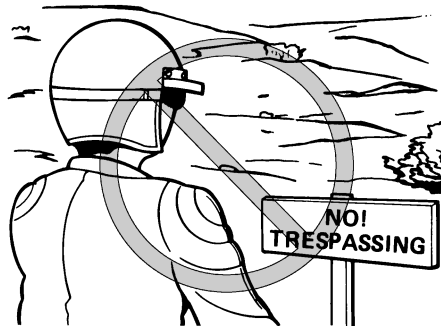
terrain could cause loss of traction or ATV control, which could result in an accident, including an overturn. [EWB01542]



When riding in an area where you might not easily be seen, such as desert terrain, mount a caution flag on the ATV. **DO NOT** use the flag pole bracket as a trailer hitch. **WARNING! You could collide with another vehicle if operating in areas where you cannot easily be seen. Mount a caution flag on the ATV to make you more visible. Watch carefully for other vehicles.** [EWB01552]



Do not ride in areas posted “no trespassing”. Do not ride on private property without getting permission.



Select a large, flat, unpaved area to become familiar with your ATV. Make sure that this area is free of obstacles and other riders. You should practice control of the throttle, brakes, shifting procedures, and turning techniques in this area before trying more difficult terrain.

Shift to the park position and follow the instruction on page 6-1 to start the engine. Once it has warmed up you are ready to begin riding your ATV. With the engine idling, shift the drive select lever into the low-range position or the high-range position. Apply the throttle slowly and smoothly.

The centrifugal clutch will engage and you will start to accelerate. If the throttle is applied too abruptly, the front wheels may lift off the ground, resulting in a loss of directional control. Avoid higher speeds until you are thoroughly familiar with the operation of your ATV.

When slowing down or stopping, release the throttle and apply the brakes smoothly and evenly. Improper use of the brakes can cause the tires to lose traction, reducing control and increasing the possibility of an accident.

ECB00252

## **NOTICE**

---

**Do not shift from low-range to high-range or vice versa without coming to a complete stop. Damage to the engine or drive train may occur.**

---

## **TURNING YOUR ATV**

EWB01772

## **WARNING**

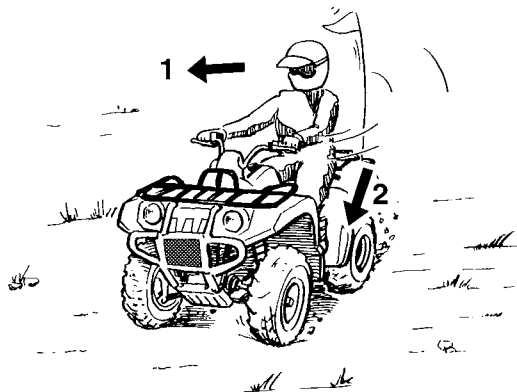
---

**Always follow proper procedures for turning as described in this Owner's Manual. Practice turning at low speeds before attempting to turn at faster speeds. Do not turn at speeds too fast for your skills or the conditions. ATV could go out of control, causing a collision or overturn.**

---

To achieve maximum traction on unpaved surfaces, the two rear wheels turn together at the same speed. Therefore, unless the wheel on the inside of the turn is allowed to slip or lose some traction, the ATV will resist turning. A special turning technique must be used to allow the ATV to make turns quickly and easily. It is essential that this skill be learned first at low speed.

As you approach a curve, slow down and begin to turn the handlebars in the desired direction. As you do so, put your weight on the footboard to the outside of the turn (opposite your desired direction) and lean your upper body into the turn. Use the throttle to maintain an even speed through the turn. This maneuver will let the wheel on the inside of the turn slip slightly, allowing the ATV to make the turn properly.



1. Lean towards inside of turn.
2. Support your weight on the outer footboard.

This procedure should be practiced at slow speed many times in a large unpaved area with no obstacles. If an incorrect technique is used, your ATV

may continue to go straight. If the ATV doesn't turn, come to a stop and then practice the procedure again. If the riding surface is slippery or loose, it may help to position more of your weight over the front wheels by moving forward on the seat.

Once you have learned this technique, you should be able to perform it at higher speeds or in tighter curves.

Improper riding procedures such as abrupt throttle changes, excessive braking, incorrect body movements, or too much speed for the sharpness of the turn may cause the ATV to tip. If the ATV begins to tip over to the outside while negotiating a turn, lean more to the inside. It may also be necessary to gradually let off on the throttle and steer to the outside of the turn to avoid tipping over.

Remember: Avoid higher speeds until you are thoroughly familiar with the operation of your ATV.

## CLIMBING UPHILL

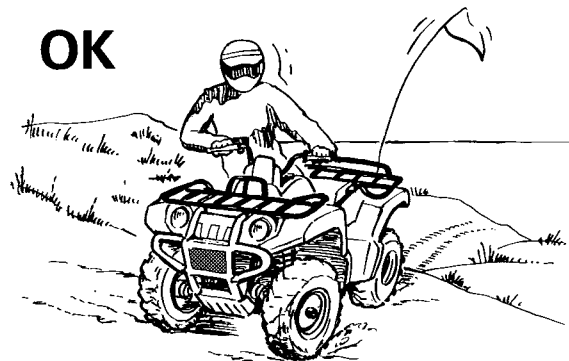
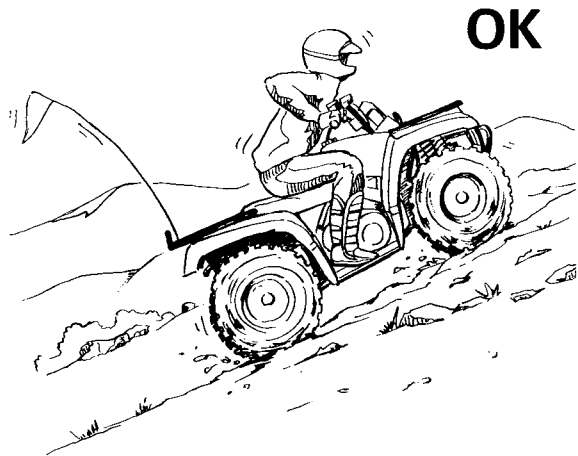
EWB01672



**Climbing hills improperly can cause overturns or loss of control. Use proper riding techniques described in this Owner's Manual.**

- Never operate the ATV on hills too steep for the ATV or for your abilities. The ATV can overturn more easily on extremely steep hills than on level surfaces or small hills.
  - Always check the terrain carefully before you start up any hill. Never climb hills with excessively slippery or loose surfaces.
  - Shift your weight forward.
  - Never open the throttle suddenly. The ATV could flip over backwards.
  - Never go over the top of any hill at high speed. An obstacle, a sharp drop, or another vehicle or person could be on the other side of the hill.
  - Never attempt to turn the ATV around on any hill until you have mastered the turning technique as described in the Owner's Manual on level ground. Be very careful when turning on any hill.
  - Avoid crossing the side of a steep hill if possible. When crossing the side of a hill, shift your weight to the uphill side of the ATV.
- 

7



Do not attempt to climb hills until you have mastered basic maneuvers on flat ground. Always check the terrain carefully before attempting any hill. In all cases avoid inclines with slippery or loose surfaces, or obstacles that might cause you to lose control.

To climb a hill, you need traction, momentum, and steady throttle. For more traction and control for climbing steeper and/or rougher slopes, select the “4WD”. Travel fast enough to maintain momentum, but not so fast that you cannot react to changes in the terrain as you climb.

It is important when climbing a hill to make sure that your weight is transferred forward on the ATV. This can be accomplished by leaning forward and, on steeper inclines, standing on the footboards and leaning forward over the handlebars. Whenever possible, ride straight up hills.

Slow down when you reach the crest of the hill if you cannot see clearly what is on the other side – there could be another person, an obstacle, or a sharp drop-off. Use common sense and remember that some hills are too steep for you to climb or descend.

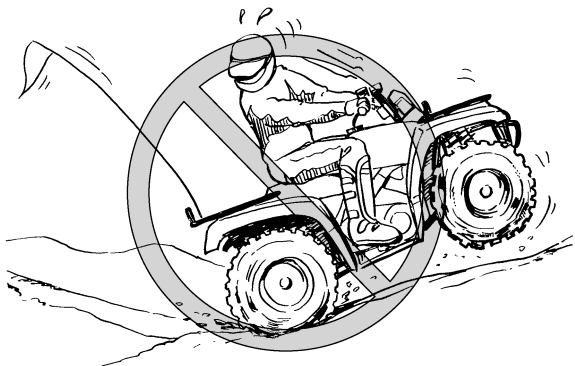
If you are climbing a hill and you find that you have not properly judged your ability to make it to the top, you should turn the ATV around while you still have forward motion (provided you have the room to do so) and go down the hill.

If your ATV has stalled or stopped and you believe you can continue up the hill, restart carefully to make sure you do not lift the front wheels which could cause you to lose control. If you are unable to continue up the hill, dismount the ATV on the uphill side. Physically turn the ATV around and then descend the hill.

If you start to roll backwards, DO NOT apply either brake abruptly. If you are in “2WD”, apply only the front brake. When fully stopped, apply the rear brake as well, and then shift to the park position. If you are in “4WD”, because all wheels are interconnected by the drive train, applying either brake will brake all wheels, therefore, avoid sudden application of either the front or rear brake as the wheels on the uphill side could come off the ground. The ATV could easily tip over backwards. Apply both the front and rear brakes gradually. When fully stopped, shift to the park position and dismount the ATV immediately on the uphill side, or to a side if pointed straight uphill. Turn the ATV

around and remount, following the procedure described in the Owner's Manual. **WARNING! Stalling, rolling backwards or improperly dismounting while climbing a hill could result in ATV overturning. If you cannot control the ATV, dismount immediately on the uphill side.**

[EWB01803]



7

## RIDING DOWNHILL

EWB01622

### **WARNING**

**Going down a hill improperly could cause overturns or loss of control. Always follow proper procedures for going down hills as described in this Owner's Manual.**

- **Always check the terrain carefully before you start down any hill.**
- **Never operate the ATV on hills too steep for the ATV or for your abilities. The ATV can overturn more easily on extremely steep hills than on level surfaces or small hills.**
- **Shift your weight backward and to the up side of the hill.**
- **Never go down a hill at high speed.**
- **Avoid going down a hill at an angle that would cause the ATV to lean sharply to one side. Go straight down the hill where possible.**
- **Improper braking can cause the wheels on the uphill side to come off the ground or cause loss of traction. Apply brakes gradually. If in "2WD", apply only the rear brake.**

---

When riding your ATV downhill, shift your weight as far to the rear and uphill side of the ATV as possible. Move back on the seat and sit with your arms straight. Engine compression will do most of the braking for you. For maximum engine compression braking effect, select the low-range position and change to "4WD" before beginning to descend the hill.

Use caution while descending a hill with loose or slippery surfaces. Braking ability and traction may be adversely affected by these surfaces. Improper braking may also cause a loss of traction.

When this ATV is in “4WD”, all wheels (front and rear) are interconnected by the drive train. This means that applying either the front brake or the rear brake will brake all wheels. When descending hills, using either brake lever or the brake pedal will brake the wheels on the downhill side. Avoid sudden application of either the front or rear brake because the wheels on the uphill side could come off the ground. Apply both the front and rear brakes gradually.

Whenever possible, ride your ATV straight downhill. Avoid sharp angles which could allow the ATV to tip or roll over. Carefully choose your path and ride no faster than you will be able to react to obstacles which may appear.



**OK**

7

## **CROSSING A SLOPE**

EWB01633



**WARNING**

**Improperly crossing hills or turning on hills could cause loss of control or cause the ATV to overturn.**

- **Always follow proper procedures as described in the Owner’s Manual.**
- **Avoid hills with excessively slippery or loose surfaces.**
- **Avoid crossing the side of a steep hill.**

- Shift your weight to the uphill side of the ATV.
- Never attempt to turn the ATV around on any hill until you have mastered the turning technique as described in the Owner's Manual on level ground. Be very careful when turning on any hill.

---

Traversing a sloping surface on your ATV requires you to properly position your weight to maintain proper balance. Be sure that you have learned the basic riding skills on flat ground before attempting to cross a sloping surface. Avoid slopes with slippery surfaces or rough terrain that may upset your balance.

7

As you travel across a slope, lean your body in the uphill direction. It may be necessary to correct the steering when riding on loose surfaces by pointing the front wheels slightly uphill. When riding on slopes, be sure not to make sharp turns either up or down hill.

If your ATV does begin to tip over, gradually steer in the downhill direction if there are no obstacles in your path. As you regain proper balance, gradually steer again in the direction you wish to travel.

OK



## CROSSING THROUGH SHALLOW WATER

EWB01642

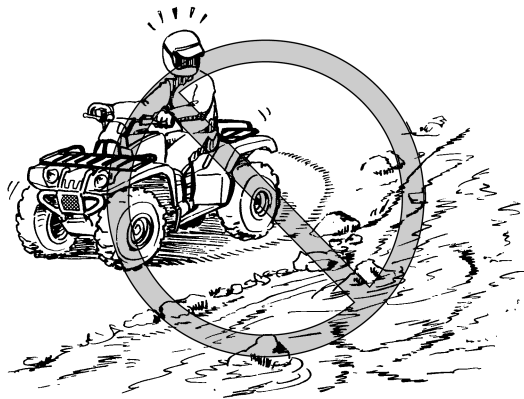
### **WARNING**

**Operating this vehicle through deep or fast-flowing water can lead to loss of control or an overturn. To reduce your risk of drowning or other injuries, use care when crossing through water. Never operate this ATV water deeper than the depth specified in your Owner's Manual, as tires may float, increasing the risk of an overturn.**

---

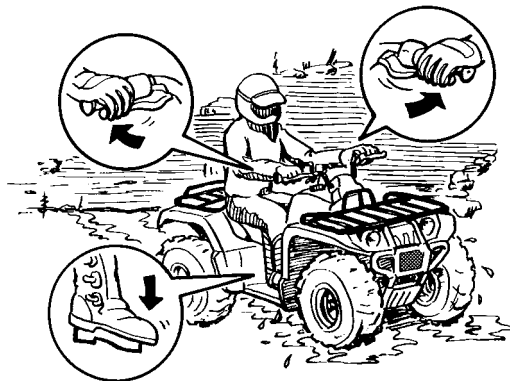


The ATV can be used to cross slow moving, shallow water of up to a maximum of 35 cm (14 in) in depth. Before entering the water, choose your path carefully. Enter where there is no sharp drop off, and avoid rocks or other obstacles which may be slippery or upset the ATV. Drive slowly and carefully.



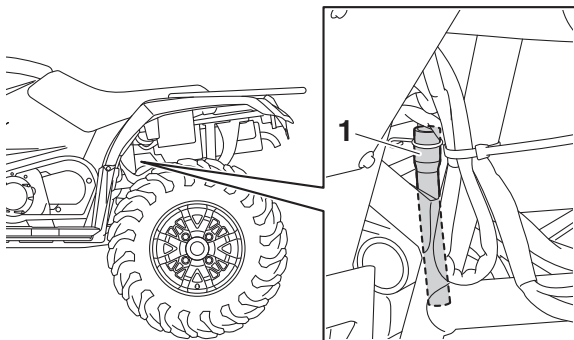
Test your brakes after leaving the water. If necessary, apply them several times to let friction dry out the linings. Do not continue to ride your ATV without verifying that you have regained proper

braking ability. **WARNING! Wet brakes may have reduced stopping ability, which could cause loss of control.** [EWB02622]

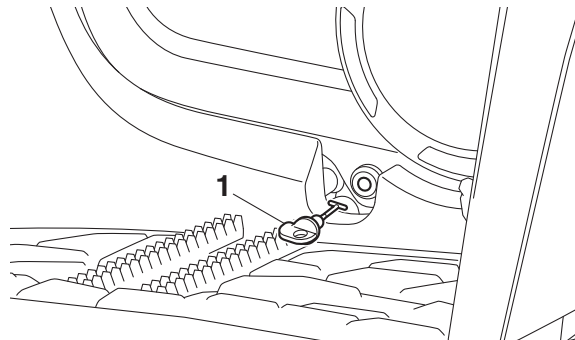


After riding your ATV in water, be sure to drain the trapped water by removing the check hose at the bottom of the air filter case and the V-belt cooling duct check hose. Also, remove the V-belt case drain plug to drain any water that may have accumulated. **NOTICE: Undrained water can cause damage or improper operation.** [ECB00842]

Wash the ATV in fresh water if it has been operated in salt water or muddy conditions.

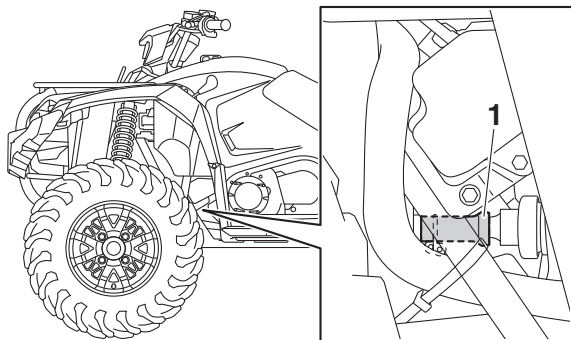


1. Air filter case check hose



1. V-belt case drain plug

7



1. V-belt cooling duct check hose (left front side of ATV)

## RIDING OVER ROUGH TERRAIN

EWB01652

### **! WARNING**

Riding improperly over obstacles could cause loss of control or a collision. Before operating in a new area, check for obstacles. Never attempt to ride over large obstacles, such as large rocks or fallen trees. When you go over obstacles, always follow proper procedures as described in the Owner's Manual.

Riding over rough terrain should be done with caution. Look out for obstacles which could cause damage to the ATV or could lead to an upset or

accident. Be sure to keep your feet firmly mounted on the footboards at all times. Avoid jumping the ATV as loss of control and damage to the ATV may result.

## SLIDING AND SKIDDING

EWB01663

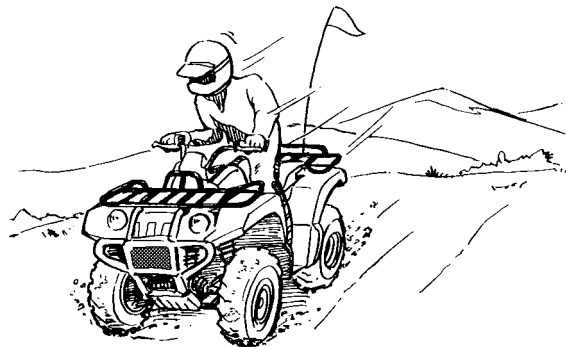
### WARNING

Skidding or sliding improperly may cause you to lose control of this ATV. You may also regain traction unexpectedly, which may cause the ATV to overturn.

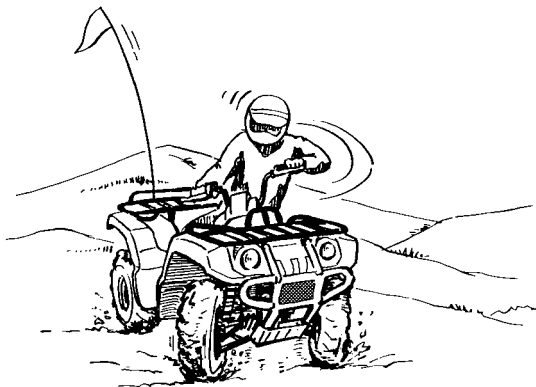
- Learn to safely control skidding or sliding by practicing at low speeds and on level, smooth terrain.
- On extremely slippery surfaces, such as ice, go slowly and be very cautious in order to reduce the chance of skidding or sliding out of control.

Care should be used when riding on loose or slippery surfaces since the ATV may slide. If unexpected and uncorrected, sliding could lead to an accident.

To reduce the tendency for the front wheels to slide in loose or slippery conditions, positioning your weight over the front wheels will sometimes help.



If the rear wheels of your ATV start to slide sideways, control can usually be regained (if there is room to do so) by steering in the direction of the slide. Applying the brakes or accelerating is not recommended until you have corrected the slide.



7

With practice, over a period of time, skill at controlled sliding can be developed. The terrain should be chosen carefully before attempting such maneuvers, since both stability and control are reduced. Bear in mind that sliding maneuvers should always be avoided on extremely slippery surfaces such as ice, since all control may be lost.

### **WHAT TO DO IF...**

This section is designed to be a reference guide only. Be sure to read each section on riding techniques completely.

### **WHAT TO DO...**

- If your ATV doesn't turn when you want it to:  
Bring the ATV to a stop and practice the turning maneuvers again. Be sure you are putting your weight on the footboard to the outside of the turn. Position your weight over the front wheels for better control. (See page 7-12.)
- If your ATV begins to tip while turning:  
Lean more into the turn to regain balance. If necessary, gradually let off the throttle and/or steer to the outside of the turn. (See page 7-12.)
- If your ATV starts to slide sideways:  
Steer in the direction of the slide if you have the room. Applying the brakes or accelerating is not recommended until you have corrected the slide. (See page 7-21.)
- If your ATV can't make it up a hill you are trying to climb:  
Turn the ATV around if you still have forward speed. If not, stop, dismount on the uphill side of the ATV and physically turn the ATV around. If the ATV starts to slip backwards, **DO NOT USE THE REAR BRAKE IF THE ATV IS IN "2WD"** – the ATV may tip over on top of you. Dismount the ATV on the uphill side. (See page 7-13.)

- If your ATV is traversing a sloping surface:  
Be sure to ride with your weight positioned towards the uphill side of the ATV to maintain proper balance. If the ATV starts to tip, steer down the hill (if there are no obstacles in your way) to regain balance. If you discover that the ATV is going to tip over, dismount on the uphill side. (See page 7-17.)
- If your ATV encounters shallow water:  
Ride slowly and carefully through slow moving water, watching for obstacles. Be sure to let water drain from the ATV and **CHECK YOUR BRAKES FOR PROPER OPERATION** when you come out of the water. Do not continue to ride your ATV until you have regained adequate braking ability. (See page 7-18.)

## PERIODIC MAINTENANCE AND ADJUSTMENT

EBU21677

Periodic inspection, adjustment, and lubrication will keep your vehicle in the safest and most efficient condition possible. Safety is an obligation of the vehicle owner and operator. The most important points of vehicle inspection, adjustment, and lubrication are explained on the following pages.

EWB01842

### **WARNING**

**Failure to properly maintain the vehicle or performing maintenance activities incorrectly may increase your risk of injury or death during service or while using the vehicle. If you are not familiar with vehicle service, have a Yamaha dealer perform the service.**

8

EWB02563

### **WARNING**

**Turn off the engine when performing maintenance unless otherwise specified.**

- **A running engine has moving parts that can catch on body parts or clothing and electrical parts that can cause shocks or fires.**

- **Running the engine while servicing can lead to eye injury, burns, fire, or carbon monoxide poisoning - possibly leading to death. See page 2-6 for more information about carbon monoxide.**

EWB02691

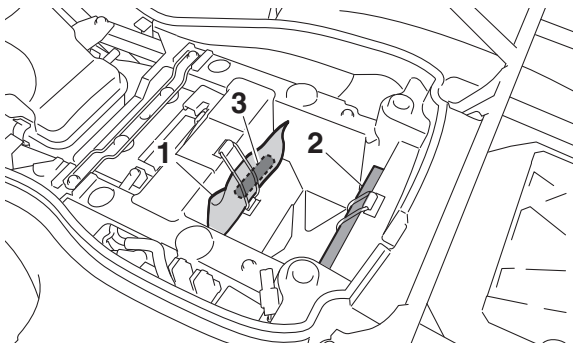
### **WARNING**

**Brake discs, calipers, drums, and linings can become very hot during use. To avoid possible burns, let brake components cool before touching them.**

The intervals given in the periodic maintenance charts should be considered as a general guide under normal riding conditions. However, DEPENDING ON THE WEATHER, TERRAIN, GEOGRAPHICAL LOCATION, AND INDIVIDUAL USE, THE MAINTENANCE INTERVALS MAY NEED TO BE SHORTENED.

## Owner's Manual and tool kit

Be sure to put the Owner's Manual and the low-pressure tire gauge in the plastic bag and always carry them along with the tool kit under the seat.



1. Tool kit
2. Owner's Manual
3. Low-pressure tire gauge

The information included in this manual and the tools provided in the tool kit are intended to assist you in the performance of preventive maintenance and minor repairs. However, additional tools, such as a torque wrench, are necessary to perform certain maintenance work correctly.

### TIP

If you do not have the tools or experience required for a particular job, have a Yamaha dealer perform it for you.

## Periodic maintenance chart: Emission control system

### TIP

- For ATVs not equipped with an odometer or an hour meter, follow the month maintenance intervals instead.
- For odometer or hour meter-equipped vehicles, follow the month maintenance interval if the ATV isn't ridden for the stated distance or engine operating hours.
- Items marked with an asterisk should be performed by a Yamaha dealer as they require special tools, data and technical skills.

NO.	ITEM	CHECK OR MAINTENANCE JOB	Whichever comes first ⇒	INITIAL			EVERY		
				month	1	3	6	6	12
				km (mi)	240 (150)	1300 (800)	2500 (1600)	2500 (1600)	5000 (3200)
hours	20	80	160	160	320				
1	* Fuel line	• Check fuel hoses for cracks or other damage, and replace if necessary.				√	√	√	
2	Spark plug	• Check condition and clean, regap, or replace if necessary.		√	√	√	√	√	
3	* Valves	• Check valve clearance and adjust if necessary.		√		√	√	√	
4	* Crankcase breather system	• Check breather hose for cracks or other damage, and replace if necessary.				√	√	√	
5	* Exhaust system	• Check for leakage and replace gasket(s) if necessary. • Check for looseness and tighten all screw clamps and joints if necessary.				√	√	√	



NO.	ITEM	CHECK OR MAINTENANCE JOB	Whichever comes first ⇒	INITIAL			EVERY		
				month	1	3	6	6	12
				km (mi)	240 (150)	1300 (800)	2500 (1600)	2500 (1600)	5000 (3200)
				hours	20	80	160	160	320
6	Spark arrester	• Clean.			√	√	√		
7	* Air induction system	• Check the air cut-off valve, reed valve, and hose for damage. • Check condition and clean or replace if necessary.			√	√	√		

## Periodic maintenance chart: General maintenance and lubrication

### TIP

- For ATVs not equipped with an odometer or an hour meter, follow the month maintenance intervals instead.
- For odometer or hour meter-equipped vehicles, follow the month maintenance interval if the ATV isn't ridden for the stated distance or engine operating hours.
- Items marked with an asterisk should be performed by a Yamaha dealer as they require special tools, data and technical skills.

NO.	ITEM	CHECK OR MAINTENANCE JOB	Whichever comes first ⇒	INITIAL			EVERY		
				month	1	3	6	6	12
				km (mi)	240 (150)	1300 (800)	2500 (1600)	2500 (1600)	5000 (3200)
				hours	20	80	160	160	320
1	Air filter element	<ul style="list-style-type: none"> <li>• Clean and replace if necessary.</li> </ul>		Every 20–40 hours (more often in wet or dusty areas)					
2	Sub air filter element	<ul style="list-style-type: none"> <li>• Clean and replace if necessary.</li> </ul>		Every 20–40 hours (more often in wet or dusty areas)					
3	* Front brake	<ul style="list-style-type: none"> <li>• Check operation and correct if necessary.</li> <li>• Check fluid level and ATV for fluid leakage, and correct if necessary.</li> </ul>		√	√	√	√	√	
		<ul style="list-style-type: none"> <li>• Replace brake pads.</li> </ul>		Whenever worn to the limit					

NO.	ITEM	CHECK OR MAINTENANCE JOB	Whichever comes first ⇒	INITIAL			EVERY		
				month	1	3	6	6	12
				km (mi)	240 (150)	1300 (800)	2500 (1600)	2500 (1600)	5000 (3200)
hours	20	80	160	160	320				
4	*	<b>Rear brake</b>	<ul style="list-style-type: none"> <li>• Check operation and correct if necessary.</li> <li>• Check brake lever and pedal free play, and adjust if necessary.</li> </ul>	√	√	√	√	√	
				<ul style="list-style-type: none"> <li>• Check brake friction plate wear and replace if necessary.</li> </ul>	√		√	√	√
5	*	<b>Brake hoses</b>	<ul style="list-style-type: none"> <li>• Check for cracks or other damage, and replace if necessary.</li> <li>• Replace.</li> </ul>		√	√	√	√	
				Every 4 years					
6	*	<b>Brake fluid</b>	<ul style="list-style-type: none"> <li>• Change.</li> </ul>	Every 2 years					
7	*	<b>Wheels</b>	<ul style="list-style-type: none"> <li>• Check runout and for damage, and replace if necessary.</li> </ul>	√		√	√	√	
8	*	<b>Tires</b>	<ul style="list-style-type: none"> <li>• Check tread depth and for damage, and replace if necessary.</li> <li>• Check air pressure and balance, and correct if necessary.</li> </ul>	√		√	√	√	
9	*	<b>Wheel hub bearings</b>	<ul style="list-style-type: none"> <li>• Check for looseness or damage, and replace if necessary.</li> </ul>	√		√	√	√	
10	*	<b>V-belt</b>	<ul style="list-style-type: none"> <li>• Check for wear, cracks or other damage, and replace if necessary.</li> </ul>	√		√	√	√	
11	*	<b>Drive shaft universal joint</b>	<ul style="list-style-type: none"> <li>• Lubricate with lithium-soap-based grease.</li> </ul>			√	√	√	

NO.	ITEM	CHECK OR MAINTENANCE JOB	Whichever comes first ⇒	INITIAL			EVERY		
				month	1	3	6	6	12
				km (mi)	240 (150)	1300 (800)	2500 (1600)	2500 (1600)	5000 (3200)
				hours	20	80	160	160	320
12	*	<b>Chassis fasteners</b>	<ul style="list-style-type: none"> <li>• Make sure that all nuts, bolts, and screws are properly tightened.</li> </ul>	√	√	√	√	√	
13	*	<b>Shock absorber assemblies</b>	<ul style="list-style-type: none"> <li>• Check operation and correct if necessary.</li> <li>• Check for oil leakage and replace if necessary.</li> </ul>			√	√	√	
14	*	<b>Stabilizer bushes</b>	<ul style="list-style-type: none"> <li>• Check for cracks or other damage, and replace if necessary.</li> </ul>			√	√	√	
15	*	<b>Rear knuckle pivots</b>	<ul style="list-style-type: none"> <li>• Lubricate with lithium-soap-based grease.</li> </ul>			√	√	√	
16	*	<b>Steering shaft</b>	<ul style="list-style-type: none"> <li>• Lubricate with lithium-soap-based grease.</li> </ul>			√	√	√	
17	*	<b>Steering system</b>	<ul style="list-style-type: none"> <li>• Check operation and repair or replace if damaged.</li> <li>• Check toe-in and adjust if necessary.</li> </ul>	√	√	√	√	√	
18	*	<b>Engine mount</b>	<ul style="list-style-type: none"> <li>• Check for cracks or other damage, and replace if necessary.</li> </ul>			√	√	√	
19	*	<b>Axle boots</b>	<ul style="list-style-type: none"> <li>• Check for cracks or other damage, and replace if necessary.</li> </ul>	√	√	√	√	√	
20		<b>Engine oil</b>	<ul style="list-style-type: none"> <li>• Change.</li> <li>• Check ATV for oil leakage, and correct if necessary.</li> </ul>	√		√	√	√	
21		<b>Engine oil filter cartridge</b>	<ul style="list-style-type: none"> <li>• Replace.</li> </ul>	√		√		√	
22	*	<b>Engine oil strainer</b>	<ul style="list-style-type: none"> <li>• Clean.</li> </ul>	√		√		√	

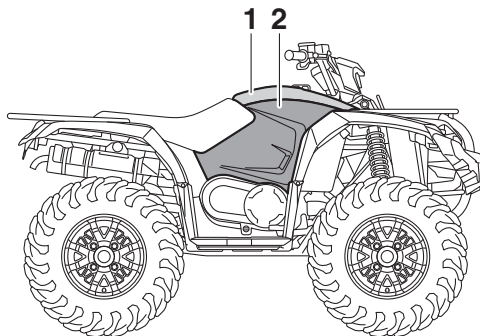
NO.	ITEM	CHECK OR MAINTENANCE JOB	Whichever comes first ⇒	INITIAL			EVERY		
				month	1	3	6	6	12
				km (mi)	240 (150)	1300 (800)	2500 (1600)	2500 (1600)	5000 (3200)
hours	20	80	160	160	320				
23	Differential gear oil	<ul style="list-style-type: none"> <li>Change.</li> <li>Check ATV for oil leakage, and correct if necessary.</li> </ul>		√				√	
24	Final gear oil	<ul style="list-style-type: none"> <li>Change.</li> <li>Check ATV for oil leakage, and correct if necessary.</li> </ul>		√		√	√	√	
25	Cooling system	<ul style="list-style-type: none"> <li>Check coolant level and ATV for coolant leakage, and correct if necessary.</li> </ul>		√	√	√	√	√	
		<ul style="list-style-type: none"> <li>Replace coolant.</li> </ul>	Every 2 years						
26	* Moving parts and cables	<ul style="list-style-type: none"> <li>Lubricate.</li> </ul>			√	√	√	√	
27	* Throttle lever	<ul style="list-style-type: none"> <li>Check operation.</li> <li>Check throttle lever free play, and adjust if necessary.</li> <li>Lubricate cable and lever housing.</li> </ul>		√	√	√	√	√	
28	* Front and rear brake switches	<ul style="list-style-type: none"> <li>Check operation and correct if necessary.</li> </ul>		√	√	√	√	√	
29	* Lights and switches	<ul style="list-style-type: none"> <li>Check operation and correct if necessary.</li> <li>Adjust headlight beams.</li> </ul>		√	√	√	√	√	

**TIP** \_\_\_\_\_

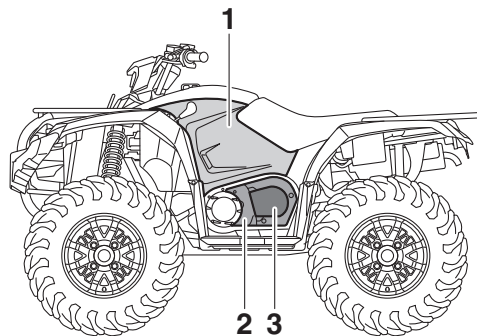
- Some maintenance items need more frequent service if you are riding in unusually wet, dusty, sandy or muddy areas, or at full-throttle.
  - Hydraulic brake service
    - Regularly check and, if necessary, correct the brake fluid level.
    - Every two years replace the internal components of the brake master cylinder and calipers, and change the brake fluid.
    - Replace the brake hoses every four years and if cracked or damaged.
-

## Removing and installing panels

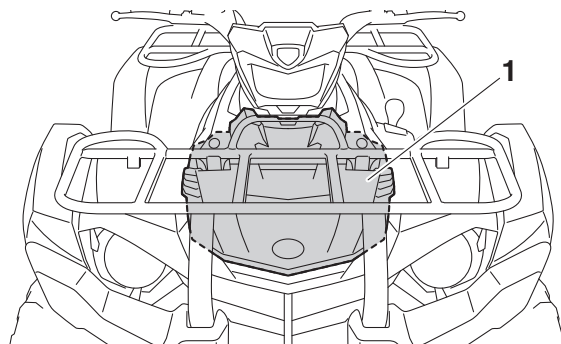
The panels shown need to be removed to perform some of the maintenance jobs described in this chapter. Refer to this section each time a panel needs to be removed and installed.



1. Panel A
2. Panel B



1. Panel C
2. Panel D
3. Panel E



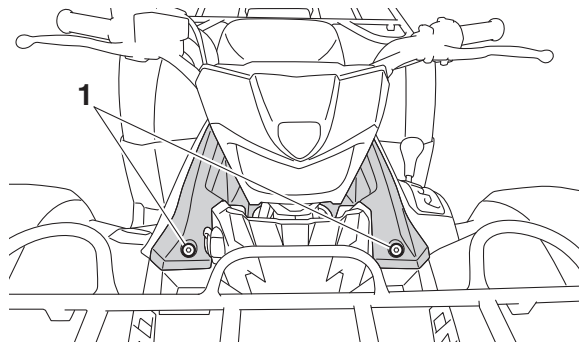
1. Panel F

## Panel A

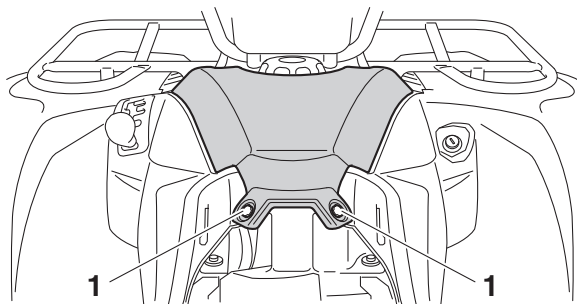
When removing or installing panel A, the fuel tank cap must be removed. **NOTICE: Make sure that no foreign material enters the fuel tank.** [ECB01052]

### To remove the panel

1. Remove the seat. (See page 4-13.)
2. Remove the bolts and quick fasteners.

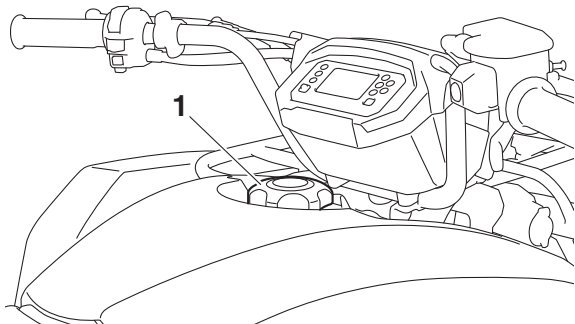


1. Bolt



1. Quick fastener

3. Remove the fuel tank cap, and then pull the panel off.



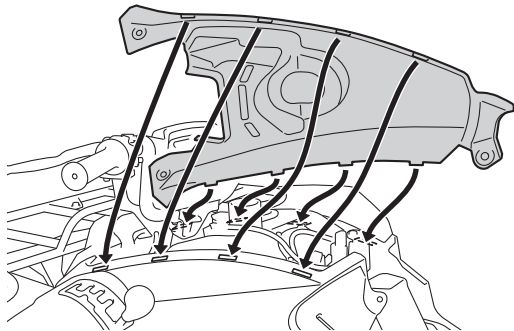
1. Fuel tank cap



4. Install the fuel tank cap.

#### To install the panel

1. Remove the fuel tank cap.
2. Place the panel over the fuel tank filler tube, and then install the fuel tank cap.



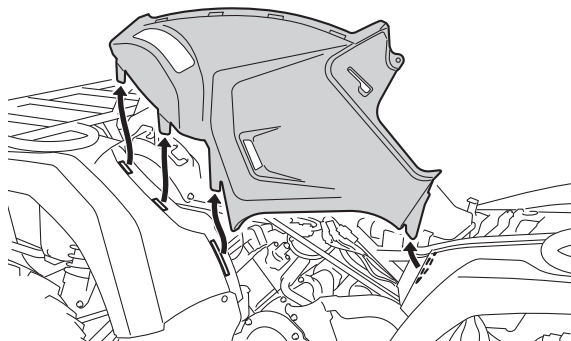
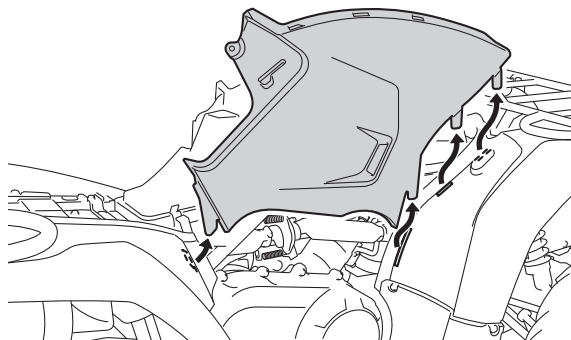
3. Install the bolts and quick fasteners.
4. Install the seat.

#### **Panels B and C**

When removing or installing panel C, the drive select lever must be moved out of the park position. Apply the brake pedal and move the drive select lever to the reverse position.

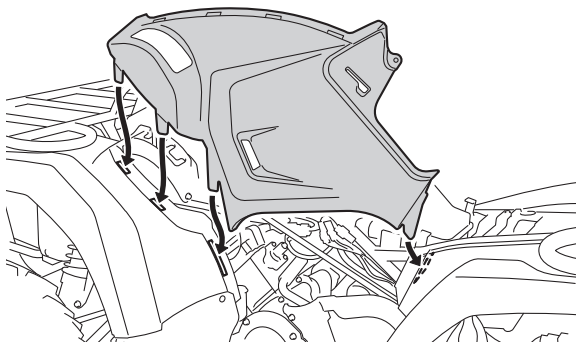
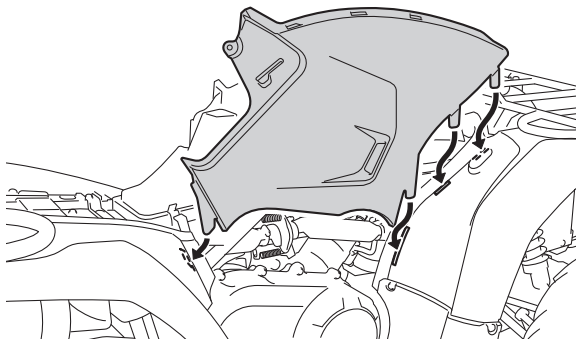
#### To remove a panel

1. Remove panel A.
2. Pull the panel upward to release the tabs as shown.



## To install a panel

1. Push the panel to secure the tabs.

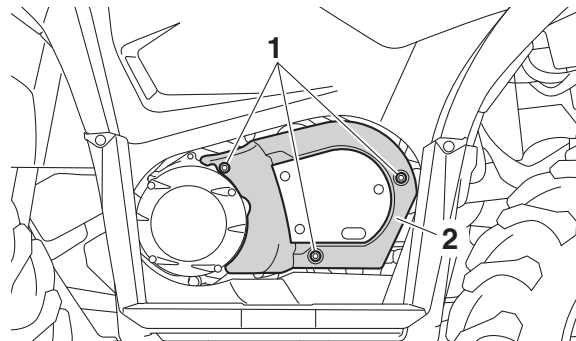


2. Install panel A.

## **Panel D**

### To remove the panel

Remove the bolts, and then take the panel off.



1. Bolt
2. Panel D

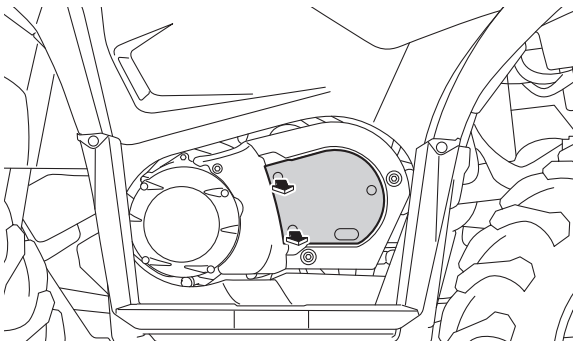
### To install the panel

Place the panel in the original position, and then install the bolts.

## **Panel E**

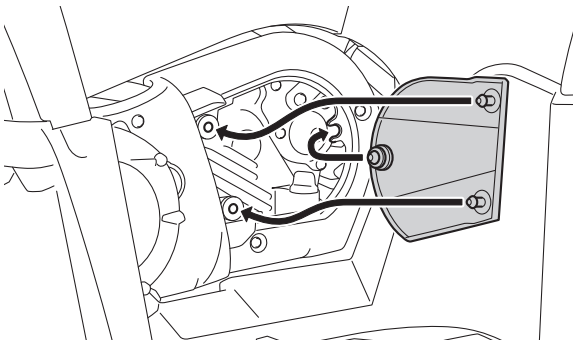
### To remove the panel

Pull outward on the areas shown to release the projections, and then slide the panel out.



### To install the panel

Insert the right side of the panel into position, and then press the projections into place.

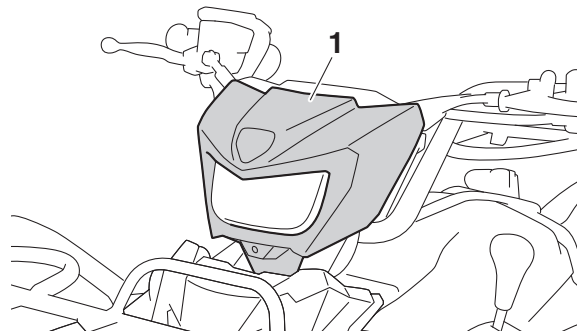


## Panel F

### To remove the panel

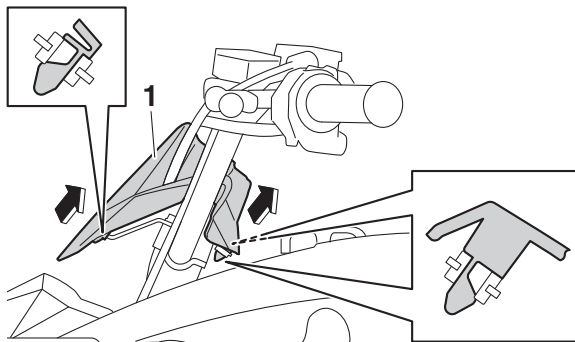
1. Remove panels B and C.
2. Remove the cover.
  - For YFM45KPXK / YFM45KPHK / YFM45KPLK: Remove the handlebar-mounted light cover. (See page 8-58.)
  - For YFM45KDXX / YFM45KDHK: Remove the handlebar cover.

### **YFM45KPXK / YFM45KPHK / YFM45KPLK**



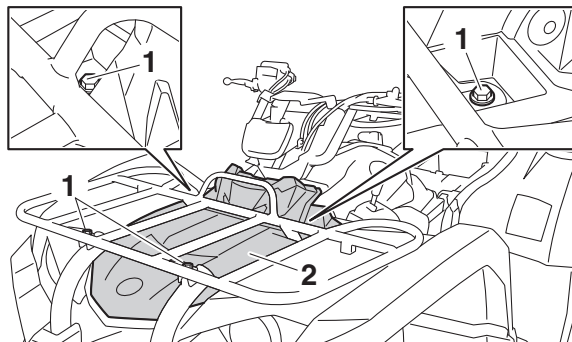
1. Handlebar-mounted light cover

## YFM45KDXK / YFM45KDHK



1. Handlebar cover

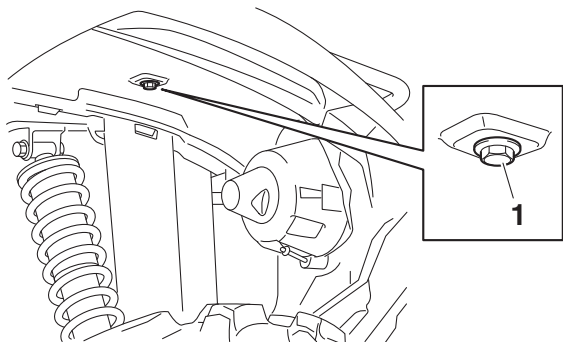
3. Remove the carrier top bolts.



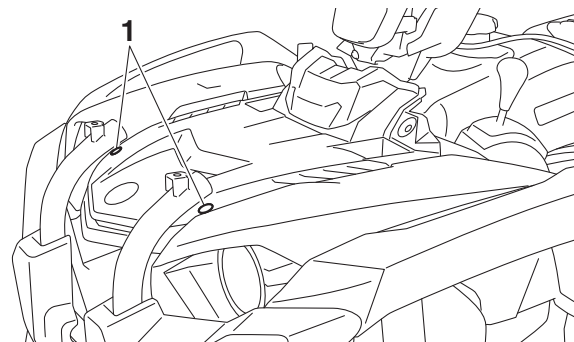
1. Carrier bolt (top)

2. Panel F

4. Remove the carrier bolts under the fenders, and then take the carrier off.

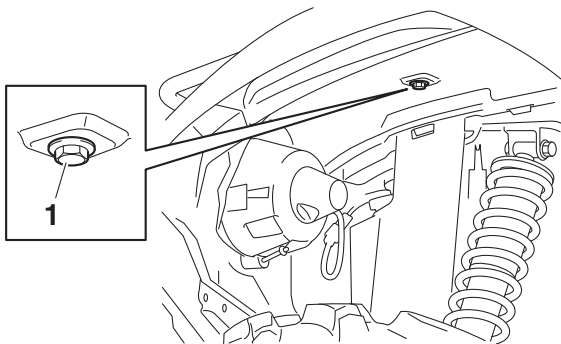


1. Carrier bolt (under the fenders)



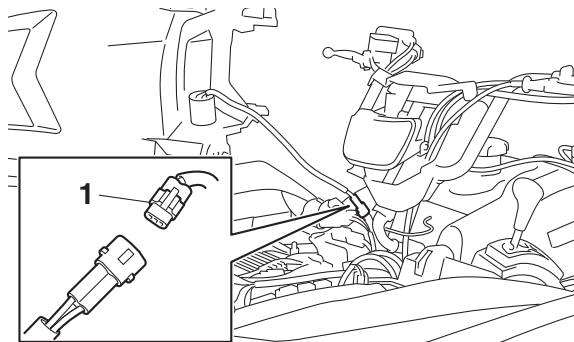
1. Quick fastener

6. Lift up the panel and disconnect the coupler.



1. Carrier bolt (under the fenders)

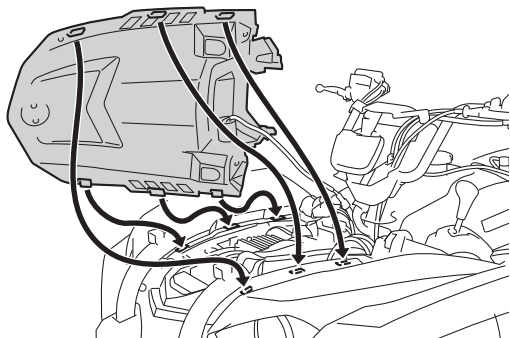
5. Remove the quick fasteners.



1. Coupler

## To install the panel

1. Connect the coupler, and then place the panel in the original position.



2. Install the quick fasteners.
3. Place the carrier in the original position, and then install the carrier bolts under the fenders.
4. Install the carrier top bolts, and then tighten all bolts to the specified torques.

### Tightening torques:

Carrier bolt (top):

34 N·m (3.4 kgf·m, 25 lb·ft)

Carrier bolt (under fenders):

7 N·m (0.7 kgf·m, 5.2 lb·ft)

5. Install the cover.
  - For YFM45KPXK / YFM45KPHK / YFM45KPLK: Install the handlebar-mounted light cover.
  - For YFM45KDXXK / YFM45KDHK: Install the handlebar cover.
6. Install the panels.

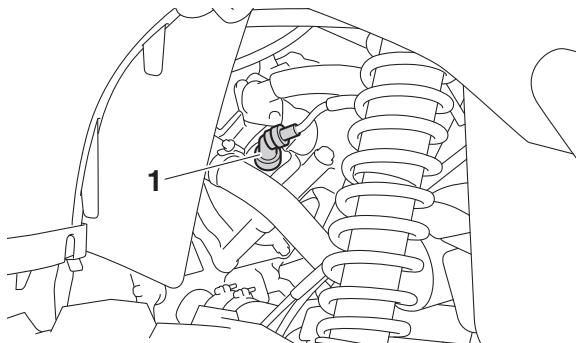
EBU23215

## Checking the spark plug

The spark plug is an important engine component, which is easy to check. Since heat and deposits will cause any spark plug to slowly erode, the spark plug should be removed and checked in accordance with the periodic maintenance and lubrication chart. In addition, the condition of the spark plug can reveal the condition of the engine.

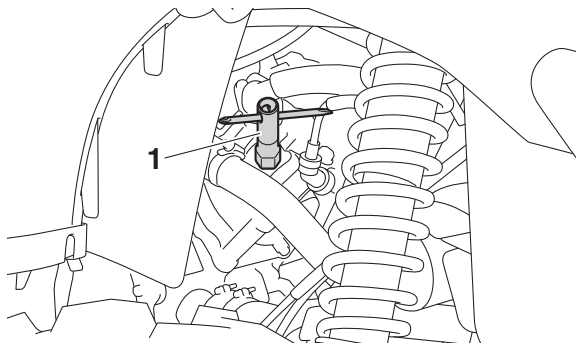
## To remove the spark plug

1. Remove the spark plug cap.



1. Spark plug cap

2. Remove the spark plug as shown, with the spark plug wrench included in the tool kit.



1. Spark plug wrench

### To check the spark plug

1. Check that the porcelain insulator around the center electrode of the spark plug is a medium-to-light tan (the ideal color when the ATV is ridden normally).

#### TIP

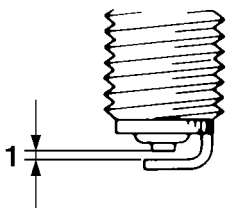
If the spark plug shows a distinctly different color, the engine could be operating improperly. Do not attempt to diagnose such problems yourself. Instead, have a Yamaha dealer check the ATV.

2. Check the spark plug for electrode erosion and excessive carbon or other deposits, and replace it if necessary.

Specified spark plug:  
NGK/DR7EA

8

3. Measure the spark plug gap with a wire thickness gauge and, if necessary, adjust the gap to specification.



1. Spark plug gap

Spark plug gap:  
0.6–0.7 mm (0.024–0.028 in)

8

### To install the spark plug

1. Clean the surface of the spark plug gasket and its mating surface, and then wipe off any grime from the spark plug threads.
2. Install the spark plug with the spark plug wrench, and then tighten it to the specified torque.

Tightening torque:  
Spark plug:  
18 N·m (1.8 kgf·m, 13 lb·ft)

### TIP

If a torque wrench is not available when installing the spark plug, a good estimate of the correct torque is 1/4–1/2 turn past finger tight. However, the spark plug should be tightened to the specified torque as soon as possible.

3. Install the spark plug cap.

EBU30245

### Engine oil and oil filter cartridge

The engine oil level should be checked before each ride. In addition, the oil must be changed and the oil filter cartridge replaced at the intervals specified in the periodic maintenance chart.

### To check the engine oil level

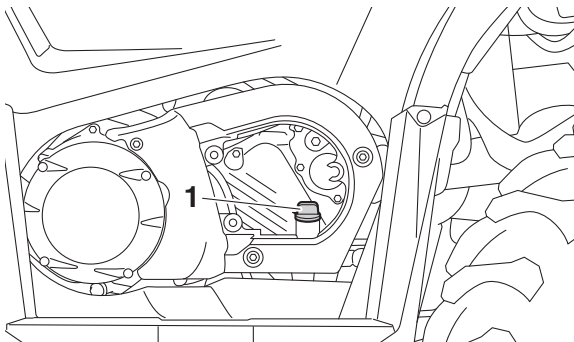
1. Park the ATV on a level surface.
2. Remove panel E. (See page 8-10.)
3. Check the engine oil level on a cold engine.



## TIP

If the engine was started before checking the oil level, warm up the engine, and then wait at least ten minutes until the oil settles for an accurate reading.

4. Remove the engine oil filler cap, and then wipe the dipstick with a clean rag.

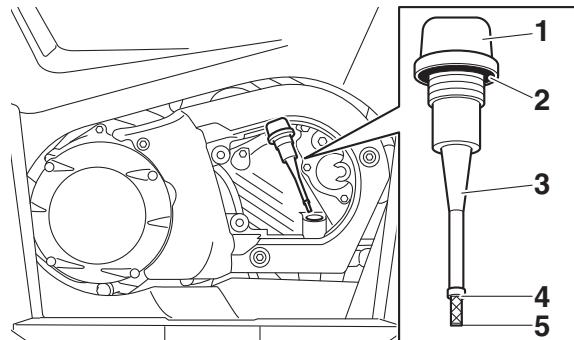


1. Engine oil filler cap

5. Insert the dipstick into the filler hole (without screwing it in), and then remove it again to check the oil level.

## TIP

The engine oil should be between the tip of the dipstick and the maximum level mark.



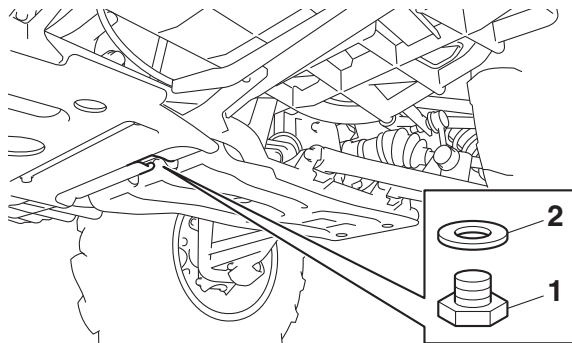
1. Engine oil filler cap
2. O-ring
3. Engine oil dipstick
4. Maximum level mark
5. Tip of the engine oil dipstick

6. If the engine oil is not between the tip of the dipstick and the maximum level mark, add sufficient oil of the recommended type to raise it to the correct level. **NOTICE: Be sure the engine oil is at the correct level, otherwise engine damage may result.** [ECB00852]

7. Check the filler cap O-ring for damage, and replace it if necessary.
8. Install the engine oil filler cap and the panel.

**To change the engine oil (and replace the oil filter cartridge)**

1. Park the ATV on a level surface.
2. Remove panel E. (See page 8-10.)
3. Start the engine, warm it up for several minutes, and then turn it off.
4. Place an oil pan under the engine to collect the used oil.
5. Remove the engine oil filler cap, and then remove the engine oil drain bolt and its gasket to drain the oil from the crankcase.

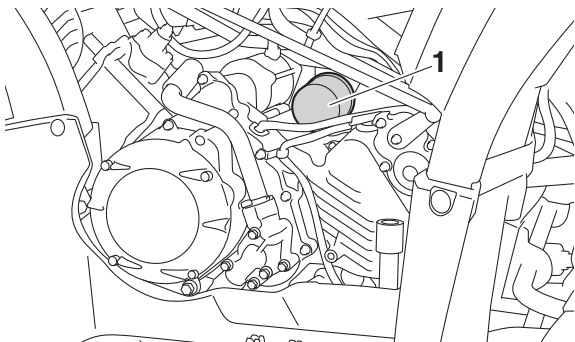


1. Engine oil drain bolt
2. Gasket

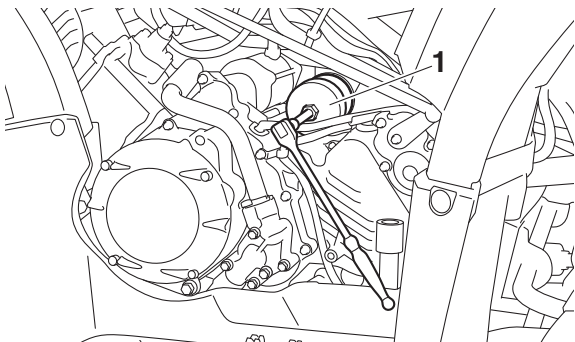
**TIP**

Skip steps 6–10 if the oil filter cartridge is not being replaced.

6. Remove panels C and D. (See page 8-10.)
7. Remove the oil filter cartridge with an oil filter wrench.



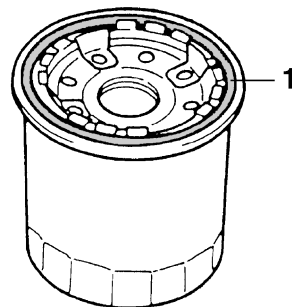
1. Oil filter cartridge



1. Oil filter wrench

**TIP** \_\_\_\_\_  
An oil filter wrench is available at a nearby Yamaha dealer.

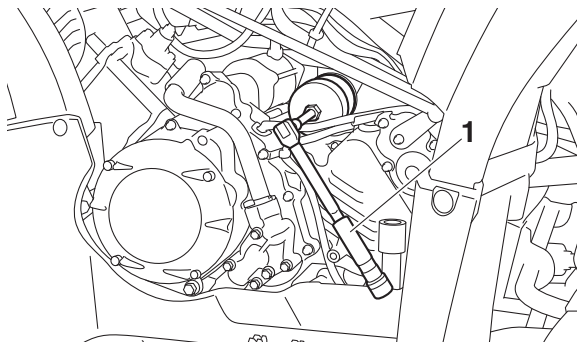
8. Apply a thin coat of engine oil to the O-ring of the new oil filter cartridge.



1. O-ring

**TIP** \_\_\_\_\_  
Make sure that the O-ring is properly seated.

9. Install the new oil filter cartridge with an oil filter wrench, and then tighten it to the specified torque with a torque wrench.



1. Torque wrench

Tightening torque:

Oil filter cartridge:

17 N·m (1.7 kgf·m, 13 lb·ft)

10. Install panels D and C.

11. Install the engine oil drain bolt and its new gasket, and then tighten the bolt to the specified torque.

Tightening torque:

Engine oil drain bolt:

27 N·m (2.7 kgf·m, 20 lb·ft)

12. Refill with the specified amount of the recommended engine oil.

Recommended oil:

See page 10-1.

Oil quantity:

Without oil filter cartridge replacement:

2.30 L (2.43 US qt, 2.02 Imp.qt)

With oil filter cartridge replacement:

2.40 L (2.54 US qt, 2.11 Imp.qt)

#### TIP

Be sure to wipe off spilled oil on any parts after the engine and exhaust system have cooled down.

ECB00301

#### NOTICE

- **In order to prevent clutch slippage (since the engine oil also lubricates the clutch), do not mix any chemical additives. Do not use oils with a diesel specification of “CD” or oils of a higher quality than specified. In addition, do not use oils labeled “ENERGY CONSERVING II” or higher.**
- **Make sure that no foreign material enters the crankcase.**

13. Check the engine oil filler cap O-ring for damage, and then install the filler cap.
14. Start the engine and let it idle for several minutes while checking for oil leakage. If any oil leakage is found, immediately turn the engine off and check for the cause.
15. Turn the engine off, wait at least ten minutes, and then check the oil level and correct it if necessary.
16. Install panel E.

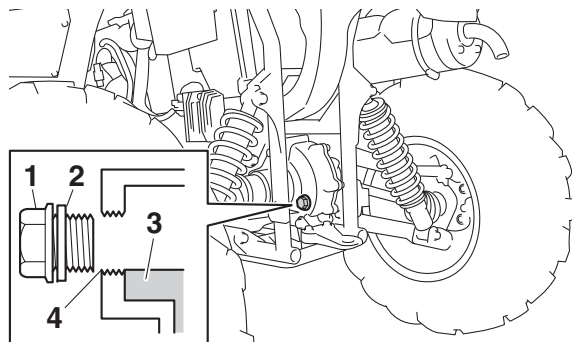
EBU28568

## Final gear oil

The final gear case must be checked for oil leakage before each ride. If any leakage is found, have a Yamaha dealer check and repair the ATV. In addition, the final gear oil level must be checked and the oil changed as follows at the intervals specified in the periodic maintenance and lubrication chart.

### To check the final gear oil level

1. Park the ATV on a level surface.
2. Remove the final gear oil filler bolt and its gasket, and then check the oil level in the final gear case. The oil level should be at the brim of the filler hole.



1. Final gear oil filler bolt
2. Gasket
3. Final gear oil
4. Correct oil level

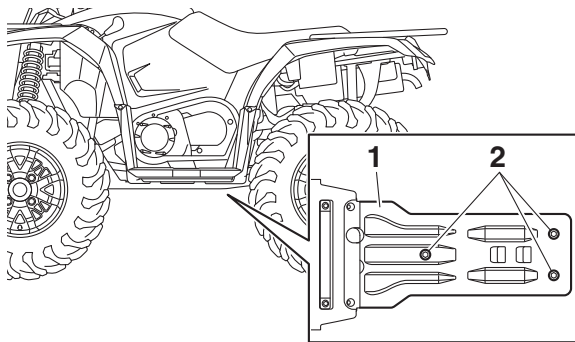
3. If the oil is below the brim of the filler hole, add sufficient oil of the recommended type to raise it to the correct level.
4. Check the oil filler bolt gasket for damage, and replace it if necessary.
5. Install the oil filler bolt and its gasket, and then tighten the bolt to the specified torque.

Tightening torque:

Final gear oil filler bolt:  
22 N·m (2.2 kg·m, 16 lb·ft)

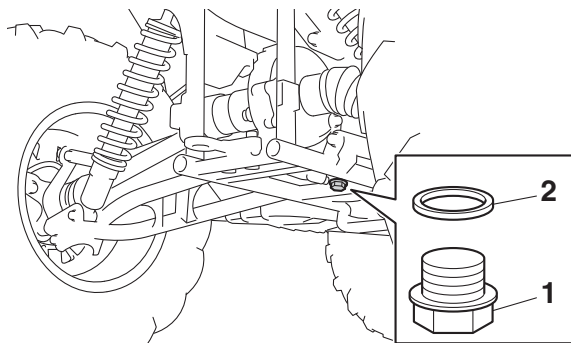
## To change the final gear oil

1. Park the ATV on a level surface.
2. Remove the final gear case guard by removing the bolts.



- 8**
1. Final gear case guard
  2. Bolt

3. Place an oil pan under the final gear case to collect the used oil.
4. Remove the final gear oil filler bolt, the final gear oil drain bolt and their gasket to drain the oil from the final gear case.



1. Final gear oil drain bolt
2. Gasket

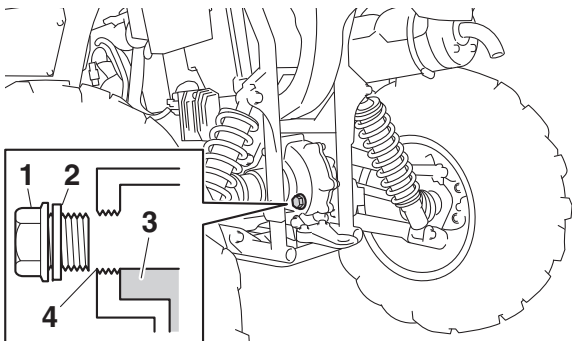
5. Install the drain bolt and its new gasket, and then tighten the bolt to the specified torque.

Tightening torque:

Final gear oil drain bolt:

22 N·m (2.2 kgf·m, 16 lb·ft)

6. Refill with the recommended final gear oil to the brim of the filler hole as shown. **NOTICE:** Be sure no foreign material enters the final gear case. [ECB00422]



1. Final gear oil filler bolt
2. Gasket
3. Final gear oil
4. Correct oil level

Recommended final gear oil:  
 Yamaha Friction Modified Shaft Drive Gear Oil  
 Oil quantity:  
 0.38 L (0.40 US qt, 0.33 Imp.qt)

### TIP

If the recommended oil is not available, SAE 80W-90 API GL-5 Hypoid gear oil may be used instead.

However, when using this oil, noise from the final gear case may occur when applying the rear brake.

7. Check the oil filler bolt gasket for damage, and replace it if necessary.
8. Install the oil filler bolt and its gasket, and then tighten the bolt to the specified torque.

Tightening torque:

Final gear oil filler bolt:

22 N·m (2.2 kgf·m, 16 lb·ft)

9. Check the final gear case for oil leakage. If oil is leaking, check for the cause.
10. Install the final gear case guard by installing the bolts, and then tightening them to the specified torque.

Tightening torque:

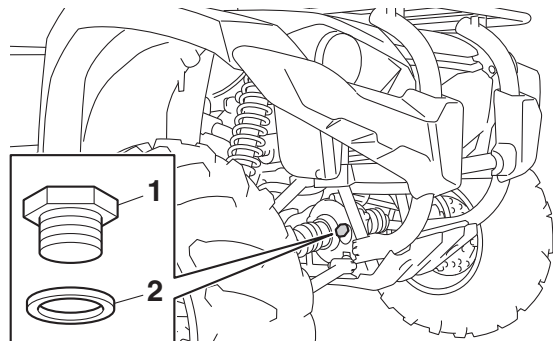
Final gear case guard bolt:

8 N·m (0.8 kgf·m, 5.9 lb·ft)

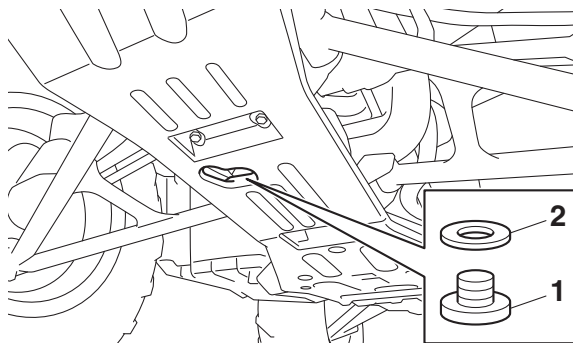
## Changing the differential gear oil

The differential gear case must be checked for oil leakage before each ride. If any leakage is found, have a Yamaha dealer check and repair the ATV. In addition, the differential gear oil must be changed as follows at the intervals specified in the periodic maintenance and lubrication chart.

1. Park the ATV on a level surface.
2. Place an oil pan under the differential gear case to collect the used oil.
3. Remove the differential gear oil filler bolt, the differential gear oil drain bolt and their gasket to drain the oil from the differential gear case.



1. Differential gear oil filler bolt
2. Gasket



1. Differential gear oil drain bolt
2. Gasket

4. Install the drain bolt and its new gasket, and then tighten the bolt to the specified torque.

Tightening torque:

Differential gear oil drain bolt:  
10 N·m (1.0 kgf·m, 7.4 lb·ft)

5. Refill with the specified amount of the recommended differential gear oil. **NOTICE:** Be sure no foreign material enters the differential gear case. [ECB00412]



## TIP

- Do not exceed the specified differential gear oil quantity when filling. Overfilling will cause the oil to seep out of the breather hose during and after riding.
- The differential gear case capacity is greater than the recommended oil quantity, therefore the oil level cannot be accurately checked from the oil filler hole.

Recommended differential gear oil:  
Yamaha Friction Modified Shaft Drive Gear Oil or SAE 80 API GL-4 Hypoid gear oil  
Oil quantity:  
0.35 L (0.37 US qt, 0.31 Imp.qt)

6. Check the oil filler bolt gasket for damage, and replace it if necessary.
7. Install the oil filler bolt and its gasket, and then tighten the bolt to the specified torque.

Tightening torque:  
Differential gear oil filler bolt:  
23 N·m (2.3 kgf·m, 17 lb·ft)

8. Check the differential gear case for oil leakage. If oil is leaking, check for the cause.

EBU23472

## Coolant

The coolant level should be checked regularly. In addition, the coolant must be changed at the intervals specified in the periodic maintenance and lubrication chart.

Recommended coolant:  
YAMALUBE coolant  
Coolant quantity:  
Coolant reservoir (up to full level):  
0.25 L (0.26 US qt, 0.22 Imp.qt)  
Radiator (including all routes):  
1.32 L (1.40 US qt, 1.16 Imp.qt)

## TIP

If genuine Yamaha coolant is not available, use an ethylene glycol antifreeze containing corrosion inhibitors for aluminum engines and mix with distilled water at a 1:1 ratio.

**NOTICE**

Mix antifreeze with distilled water only. However, if distilled water is not available, soft water may be used for refilling. Do not use hard water or salt water since they are harmful to the engine.

EBU2712A

**To check the coolant level**

1. Park the ATV on a level surface.

**TIP**

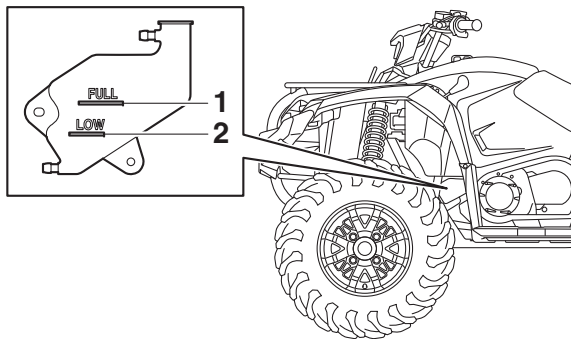
The coolant level must be checked on a cold engine since the level varies with engine temperature.

**8**

2. Check the coolant level in the coolant reservoir.

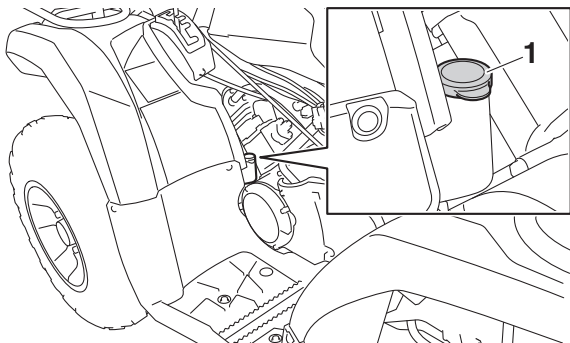
**TIP**

The coolant should be between the minimum and maximum level marks.



1. Maximum level mark
2. Minimum level mark
3. If the coolant is at or below the minimum level mark, remove panel C to access the coolant reservoir. (See page 8-10.)
4. Remove the coolant reservoir cap. **WARNING! Remove only the coolant reservoir cap. Never attempt to remove the radiator cap when the engine is hot.**

[EWB02672]



1. Coolant reservoir cap

5. Add coolant to the maximum level mark, install the reservoir cap, and then install the panel. **NOTICE: If coolant is not available, use distilled water or soft tap water instead. Do not use hard water or salt water since they are harmful to the engine. If water has been used instead of coolant, replace it with coolant as soon as possible, otherwise the cooling system will not be protected against frost and corrosion. If water has been added to the coolant, have a Yamaha dealer check the antifreeze con-**

tent of the coolant as soon as possible, otherwise the effectiveness of the coolant will be reduced. [ECB01012]

EBU37131

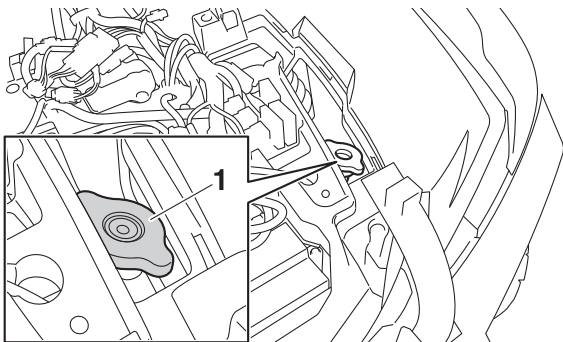
## To change the coolant

EWB01891



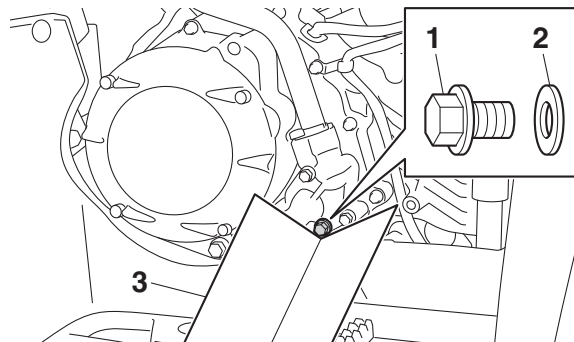
**Wait for the engine and radiator to cool before removing the radiator cap. You could be burned by hot fluid and steam blown out under pressure. Always place a thick rag over the cap when opening. Allow any remaining pressure to escape before completely removing the cap.**

1. Park the ATV on a level surface.
2. Remove the front carrier and panel F. (See page 8-10.)
3. Remove the radiator cap.



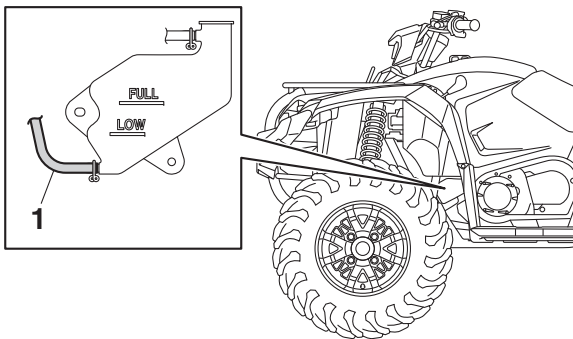
1. Radiator cap

4. Remove panels D and E. (See page 8-10.)
5. Place a container under the engine, and then remove the coolant drain bolt and its gasket. (Use a trough or a similar object as shown to prevent coolant from spilling on the footrest.)



1. Coolant drain bolt
2. Gasket
3. Trough

6. Remove the coolant reservoir cap.
7. Disconnect the coolant reservoir hose on the coolant reservoir side, and then drain the coolant from the coolant reservoir.



1. Coolant reservoir hose
8. After draining the coolant, thoroughly flush the cooling system with clean tap water.
9. Install the coolant drain bolt and its new gasket, and then tighten the bolt to the specified torque.

Tightening torque:

Coolant drain bolt:

10 N·m (1.0 kgf·m, 7.4 lb-ft)

10. Connect the coolant reservoir hose.
11. Pour the recommended coolant into the reservoir to the maximum level mark, and then install the reservoir cap.

12. Pour the recommended coolant into the radiator until it is full, and then install the radiator cap.
13. Start the engine, let it idle for several minutes, and then turn it off.

#### TIP

While the engine is idling, check the cooling system for leaks.

14. When the engine is cool, remove the radiator cap to check the coolant level in the radiator. If it is low, add sufficient coolant until it reaches the top of the radiator, and then install the radiator cap.
15. Install the panels and the front carrier.

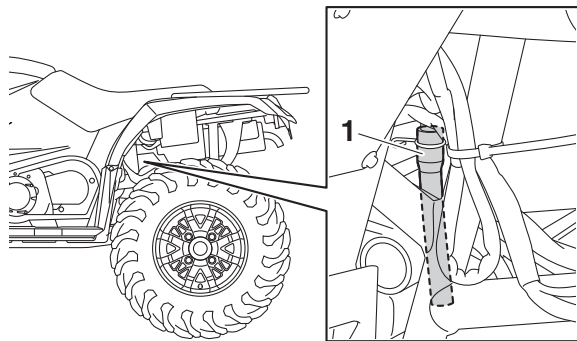
EBU37113

### Cleaning the air filter

The main air filter element and sub air filter element should be cleaned every 20–40 hours of engine operation. When servicing the air filter elements, check the air filter case inlet for obstructions. Check the air filter case rubber joint to the throttle body and the rubber joint manifold fittings for an air-tight seal. Tighten all fittings securely to avoid the possibility of unfiltered air entering the engine.

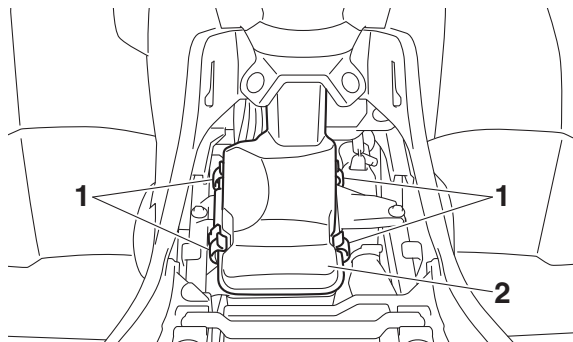
## TIP

- Replace the air filter elements if damaged.
- Service the air filter more frequently if you often ride in wet or dusty areas.
- There is a check hose at the bottom of the air filter case. If dust or water collects in this hose, empty the hose and clean the air filter case and air filter elements.



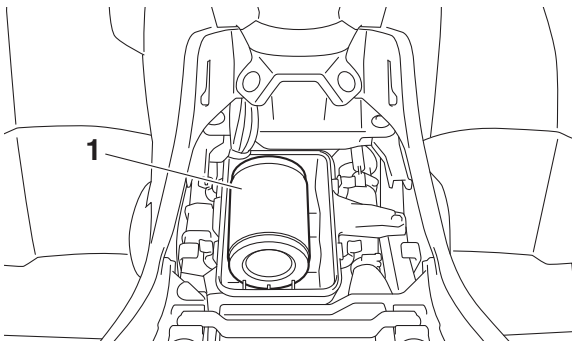
1. Air filter case check hose

1. Park the ATV on a level surface.
2. Remove the seat. (See page 4-13.)
3. Remove the air filter case cover by unhooking the air filter case cover holders.

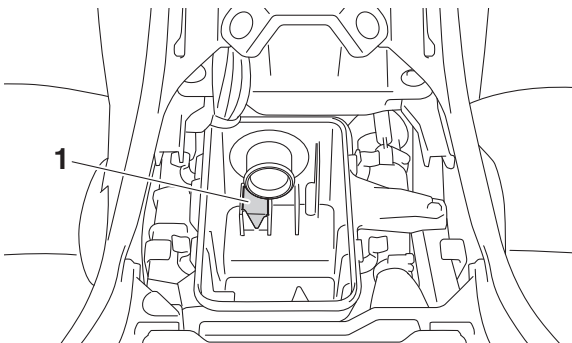


1. Air filter case cover holder
2. Air filter case cover

4. Pull out the main air filter assembly and sub air filter element.

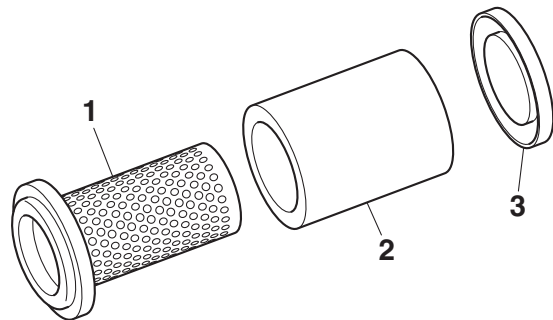


1. Main air filter assembly



1. Sub air filter element

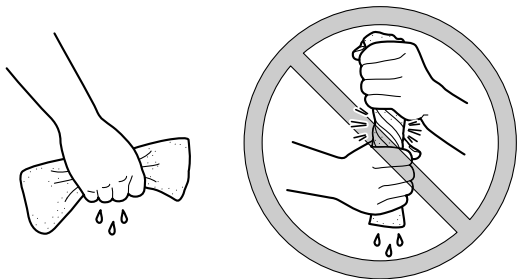
5. Pull off the lock plate from the main air filter assembly, and then remove the air filter element (sponge material) from the frame.



1. Frame
2. Air filter element (sponge material)
3. Lock plate

6. Wash the air filter elements gently but thoroughly with YAMALUBE Air Filter Cleaner, or a dedicated parts cleaning solvent. **WARNING! Always use parts cleaning solvent. Never use low-flash-point solvents or gasoline because the engine could catch fire or explode.** [EWB01943]

7. Squeeze out the excess moisture, and let dry.  
**NOTICE: Do not twist the sponge material when squeezing it.** [ECB00442]



8. Check the air filter elements (sponge material) for damage, replace if necessary.
9. Apply YAMALUBE Foam Air Filter Oil (or equivalent) to the air filter elements.

**TIP** \_\_\_\_\_  
The sponge material should be wet but not dripping.

---

10. Install the sub air filter element.
11. Install the main air filter element onto its frame, then the lock plate, and then install the main air filter assembly.

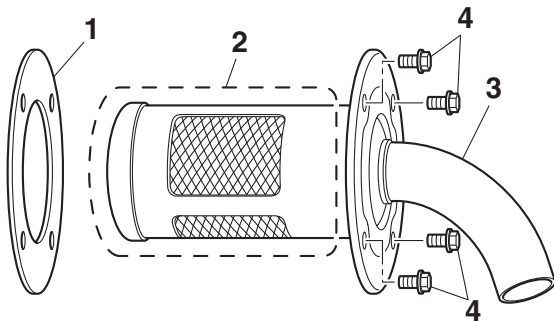
12. Install the air filter case cover by hooking the holders onto the cover. **NOTICE: Make sure that the air filter element is properly seated in the air filter case. Never operate the engine with the air filter element removed. Doing so would allow unfiltered air to enter the engine, causing rapid engine wear and possible engine damage. Additionally, the fuel injection system would be affected resulting in poor engine performance and possible overheating.** [ECB00763]
13. Install the seat.

EBU28905

### **Cleaning the spark arrester**

Be sure the exhaust pipe and muffler are cool before cleaning the spark arrester.





1. Gasket
2. Spark arrester
3. Tailpipe
4. Tailpipe bolt

EWB02342

**⚠ WARNING**

**Always let the exhaust system cool prior to touching exhaust components.**

**Do not start the engine with the spark arrester removed. Sparks or exhaust particulate can cause eye injury, burns, or start a fire.**

1. Remove the tailpipe bolts.
2. Remove the tailpipe by pulling it out of the muffler, and then remove the gasket.

3. Tap the tailpipe lightly, and then use a wire brush to remove any carbon deposits from the spark arrester portion of the tailpipe and inside of the tailpipe housing.
4. Check the gasket for damage. Replace if necessary.
5. Install the gasket onto the tailpipe, then insert the tailpipe into the muffler and align the bolt holes.
6. Install the bolts and tighten to the specified torque.

Tightening torque:

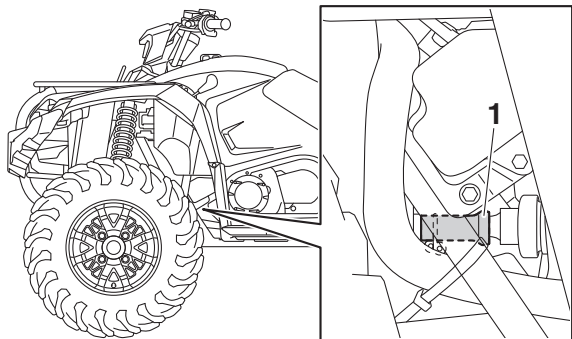
Tailpipe bolt:

10 N·m (1.0 kgf·m, 7.4 lb·ft)

EBU23921

**V-belt cooling duct check hose**

If dust or water collects in the V-belt cooling duct check hose, remove the hose and clean it.



1. V-belt cooling duct check hose (left front side of ATV)

EBU23932

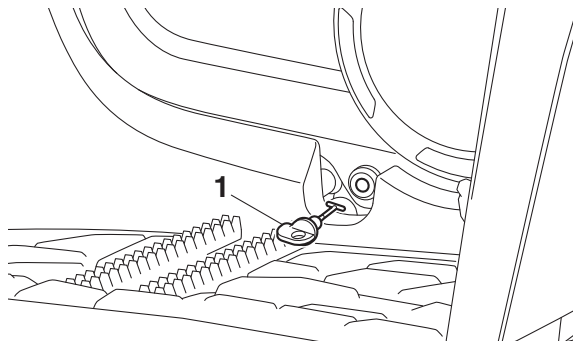
## V-belt case drain plug

8

After riding in water deep enough to allow it to enter the V-belt case, remove the V-belt case drain plug to drain the water from the case.

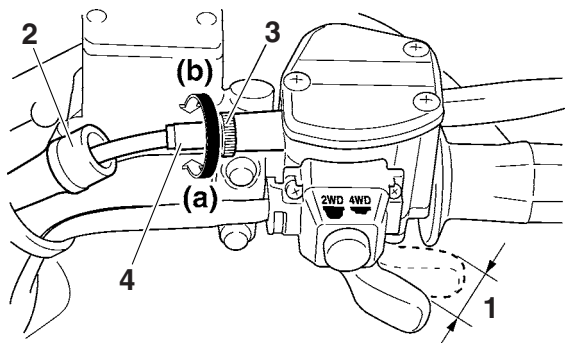
### TIP

If water drains from the V-belt case after removing the plug, have a Yamaha dealer check the ATV as the water may affect other engine parts.



1. V-belt case drain plug

## Adjusting the throttle lever free play



1. Throttle lever free play
2. Rubber cover
3. Locknut
4. Throttle lever free play adjusting bolt

Throttle lever free play:  
3.0–5.0 mm (0.12–0.20 in)

Periodically check the throttle lever free play and adjust if necessary.

1. Slide the rubber cover back.
2. Loosen the locknut.

3. To increase the throttle lever free play, turn the throttle lever free play adjusting bolt in direction (a). To decrease the throttle lever free play, turn the adjusting bolt in direction (b).
4. Tighten the locknut.
5. Slide the rubber cover to its original position.

EBU24061

## Valve clearance

The valve clearance changes with use, resulting in improper air-fuel mixture and/or engine noise. To prevent this from occurring, the valve clearance must be adjusted by a Yamaha dealer at the intervals specified in the periodic maintenance and lubrication chart.

EBU29602

## Brakes

Replacement of brake components requires professional knowledge. Brake service should be performed by a Yamaha dealer.

EWB02572



**Operating with improperly serviced or adjusted brakes could lead to a loss in braking ability and an accident.**

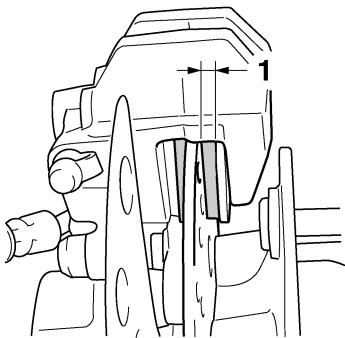
## Checking the front brake pads and rear brake friction plates

The front brake pads and the rear brake friction plates must be checked for wear at the intervals specified in the periodic maintenance and lubrication chart.

### TIP

This ATV is equipped with a wet, multiple-disc type rear brake, which is located inside of the final gear case.

### Front brake pads



1. Lining thickness

Brake pad lining thickness limit: 1.0 mm (0.04 in)
-------------------------------------------------------

Check each front brake pad for damage and measure the lining thickness. If a brake pad is damaged or if the lining thickness reaches the specified limit, have a Yamaha dealer replace the brake pads as a set.

### TIP

The wheels need to be removed to check the brake pads. (See page 8-63.)

### Rear brake friction plates

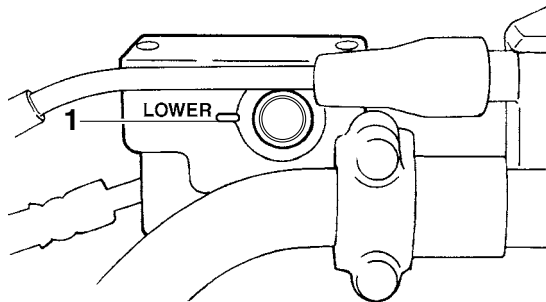
The rear brake friction plates must be checked and, if necessary, replaced by a Yamaha dealer at the intervals specified in the periodic maintenance and lubrication chart.

### Checking the brake fluid level

Before riding, check that the brake fluid is above the minimum level mark. Replenish the brake fluid if necessary.

**TIP** \_\_\_\_\_  
Straighten the handlebars for an accurate reading.

---



1. Minimum level mark

Specified brake fluid:  
DOT 4

ECB01161

**NOTICE** \_\_\_\_\_

**Brake fluid may damage painted surfaces or plastic parts. Always clean up spilled fluid immediately.**

---

As the brake pads wear, it is normal for the brake fluid level to gradually go down. A low brake fluid level may indicate worn brake pads or brake system leakage. Therefore, be sure to check the brake pads for wear and the brake system for leakage. If the brake fluid level suddenly goes down, have a Yamaha dealer check the brake system before further riding.

EWB02721

**WARNING** \_\_\_\_\_

**Improper maintenance can result in loss of braking ability. Observe these precautions:**

- **Insufficient brake fluid may allow air to enter the brake system, reducing braking performance.**
- **Clean the filler cap before removing. Use only DOT 4 brake fluid from a sealed container.**
- **Use only the specified brake fluid; otherwise, the rubber seals may deteriorate, causing leakage.**
- **Refill with the same type of brake fluid. Adding a brake fluid other than DOT 4 may result in a harmful chemical reaction.**

- Be careful that water does not enter the brake fluid reservoir when refilling. Water will significantly lower the boiling point of the fluid and may result in vapor lock.

EBU24283

## Changing the brake fluid

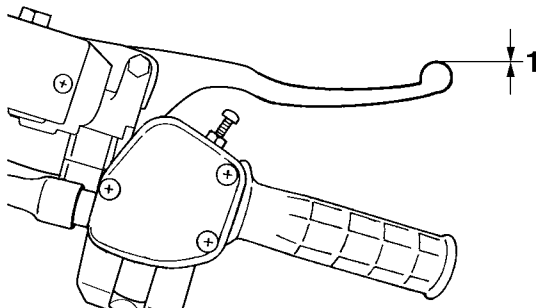
Have a Yamaha dealer change the brake fluid at the intervals specified in the periodic maintenance and lubrication chart. In addition, have the oil seals of the brake master cylinder and calipers as well as the brake hoses replaced at the intervals listed below or whenever they are damaged or leaking.

- Oil seals: Replace every two years.
- Brake hoses: Replace every four years.

8

EBU24396

## Checking the front brake lever free play



1. No brake lever free play

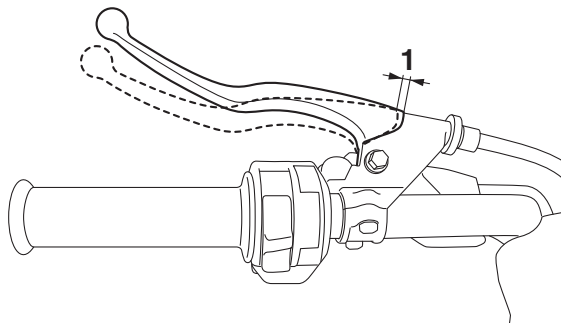
There should be no free play at the brake lever end. If there is free play, have a Yamaha dealer inspect the brake system.

EBU30348

## Adjusting the rear brake lever and brake pedal

The rear brake lever free play, brake pedal free play, and the brake pedal height must be checked and adjusted at the intervals specified in the periodic maintenance chart.

## Adjusting the brake lever free play

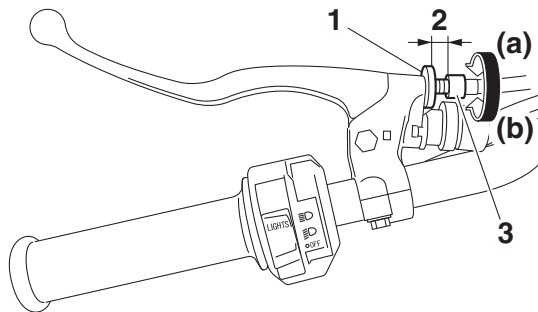


1. Brake lever free play

Brake lever free play:  
10.0 mm (0.39 in)

Measure the brake lever free play and adjust if necessary.

1. Loosen the locknut at the brake lever.

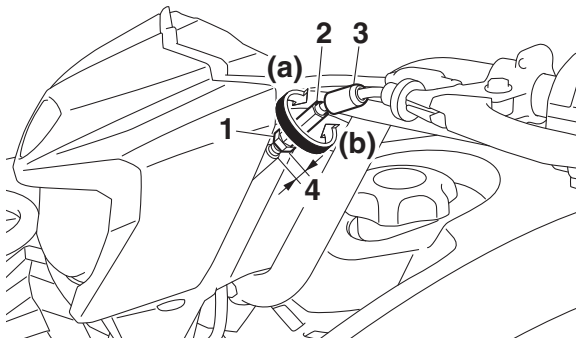


1. Locknut
  2. Distance A
  3. Brake lever free play adjusting bolt
2. To increase the brake lever free play, turn the brake lever free play adjusting bolt in direction (a). To decrease the brake lever free play, turn the adjusting bolt in direction (b). **NOTICE: Distance A must not measure more than 12.7 mm (0.50 in). If distance A exceeds 12.7 mm (0.50 in), the specified brake lever free play cannot be obtained, therefore proceed with the following steps.** [ECB01143]

## TIP

If the specified brake lever free play could be obtained as described above, skip steps 3-8.

3. Fully turn the adjusting bolt in direction (a) to loosen the brake cable.
4. Slide the rubber cover back.



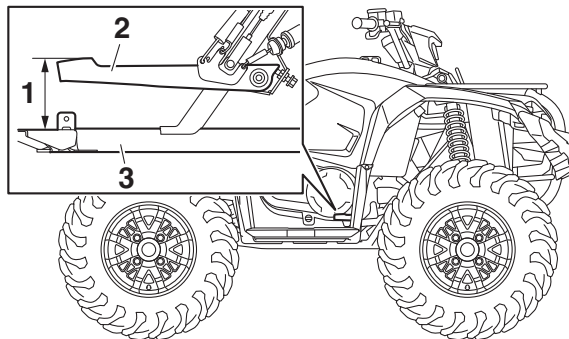
1. Brake cable adjuster locknut
2. Brake lever free play adjusting nut
3. Rubber cover
4. Distance B

5. Loosen the brake cable adjuster locknut.
6. To increase the brake lever free play, turn the brake lever free play adjusting nut in direction (a). To decrease the brake lever free play, turn

the adjusting nut in direction (b). **NOTICE:** Make sure that distance B measures 22 mm (0.87 in) or less. If distance B reaches 22 mm (0.87 in), adjust the brake lever free play at the brake lever again. If distance A exceeds 12.7 mm (0.50 in), have a Yamaha dealer check the vehicle. [ECB01153]

7. Tighten the brake cable adjuster locknut.
8. Slide the rubber cover to its original position.
9. Tighten the locknut at the brake lever.

## Adjusting the brake pedal height



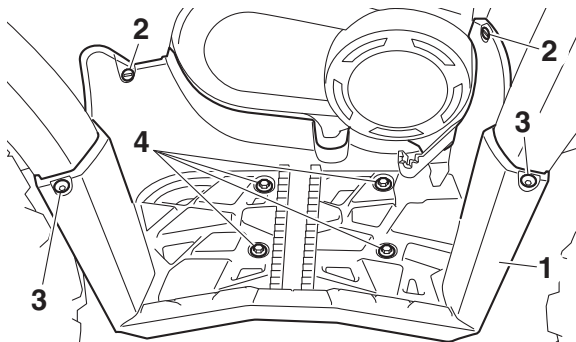
1. Brake pedal height
2. Brake pedal
3. Footboard



Brake pedal height:  
80.0 mm (3.15 in)

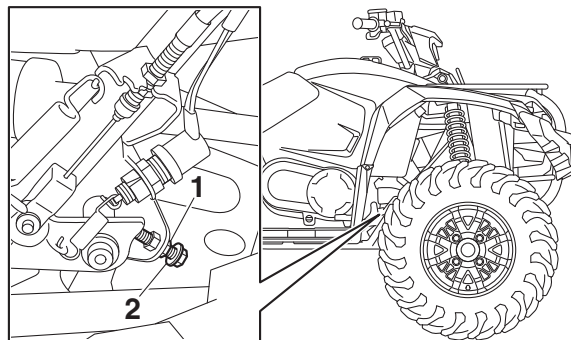
Measure the brake pedal height and adjust if necessary.

1. Remove the footboard by removing the quick fasteners, bolts, and nuts.



1. Footboard
2. Quick fastener
3. Bolt and nut
4. Bolt

2. Loosen the locknut.



1. Locknut
2. Adjusting bolt

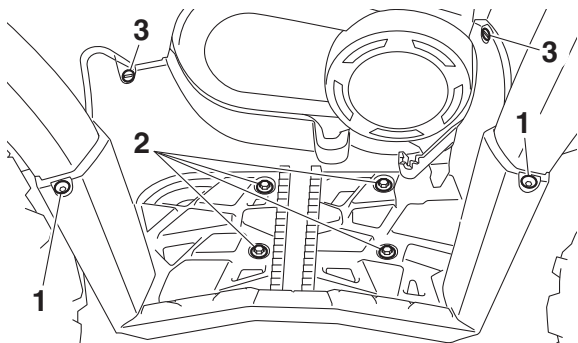
3. Turn the adjusting bolt in or out until the brake pedal height is within the specified limits.
4. Tighten the locknut.

Tightening torque:

Locknut:

7 N·m (0.7 kgf·m, 5.2 lb·ft)

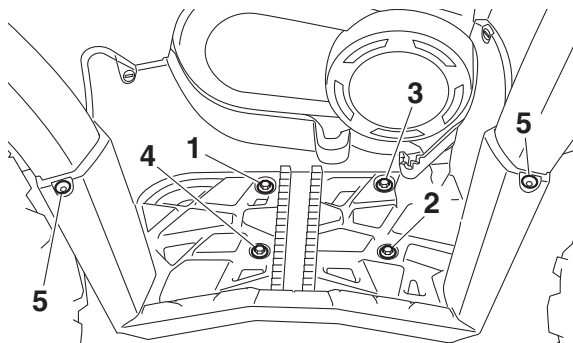
5. Install the footboard by installing the quick fasteners, bolts, and nuts, and then tighten the bolts to the specified torques.



1. Footboard bolt A
2. Footboard bolt B
3. Quick fastener

8

**TIP** \_\_\_\_\_  
Tighten the footboard bolts in the order shown.



Tightening torques:

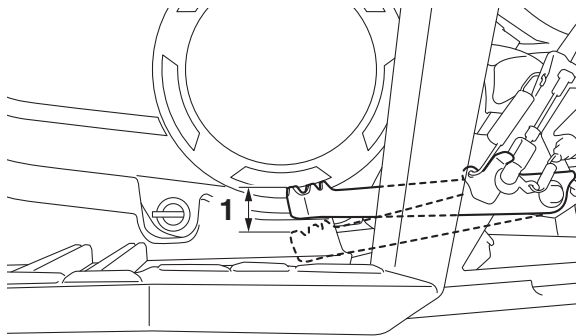
Footboard bolt A:

4.0 N·m (0.40 kgf·m, 3.0 lb·ft)

Footboard bolt B:

8 N·m (0.8 kgf·m, 5.9 lb·ft)

## Adjusting the brake pedal free play



1. Brake pedal free play

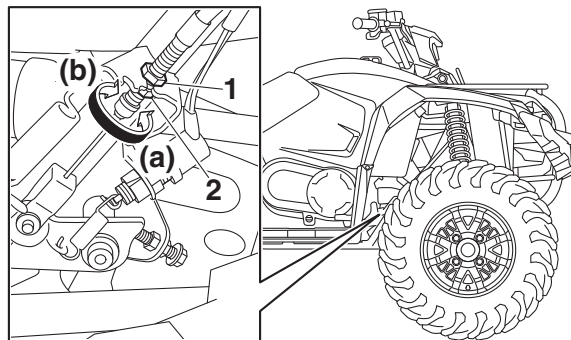
Brake pedal free play:  
20.0 mm (0.79 in)

Measure the brake pedal free play and adjust if necessary.

### TIP

The brake lever free play and brake pedal height must be adjusted before adjusting the brake pedal free play.

1. Loosen the locknut.



1. Brake pedal free play adjusting nut
2. Locknut

2. To increase the brake pedal free play, turn the brake pedal free play adjusting nut in direction (a). To decrease the brake pedal free play, turn the adjusting nut in direction (b).
3. Tighten the locknut.

EBU24231

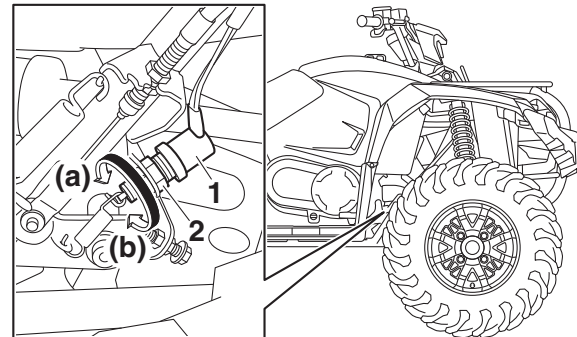
## Axle boots

The axle boots must be checked for damage at the intervals specified in the periodic maintenance and lubrication chart. Check the axle boots for tears or damage. If any damage is found, have them replaced by a Yamaha dealer.

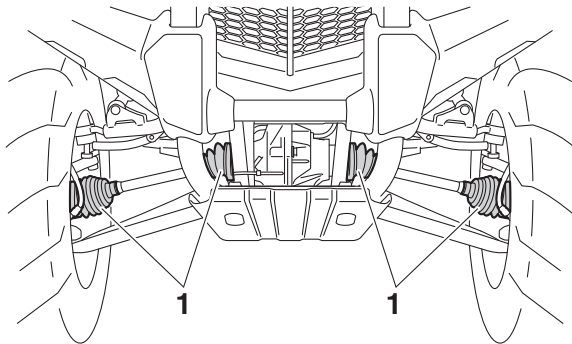
## Brake light switches

The brake light, which is activated by the brake pedal and brake levers, should come on just before braking takes effect.

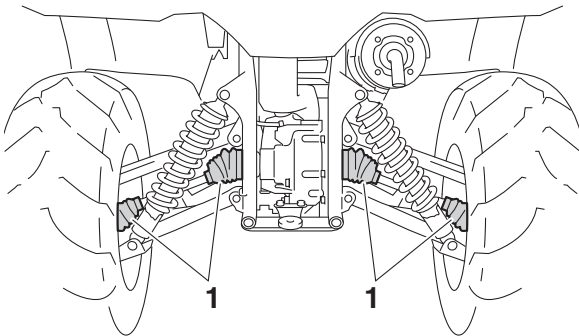
The rear brake light switch for the brake pedal can be adjusted as follows, but the other brake light switches should be adjusted by a Yamaha dealer. Turn the rear brake light switch adjusting nut while holding the brake light switch in place. To make the brake light come on earlier, turn the adjusting nut in direction (a). To make the brake light come on later, turn the adjusting nut in direction (b).



1. Rear brake light switch
2. Rear brake light switch adjusting nut



1. Front axle boot (each side)



1. Rear axle boot (each side)

## Checking and lubricating the cables

The operation and the condition of all control cables should be checked before each ride, and the cables and cable ends should be lubricated if necessary. If a cable is damaged or does not move smoothly, have a Yamaha dealer check or replace it.

Recommended lubricant:  
Yamaha cable lubricant or other suitable  
cable lubricant

### **WARNING**

- **Inspect cables frequently and replace if damaged. Corrosion can result when the cable sheaths become damaged, and cables can also become frayed or kinked, which could restrict the operation of controls and lead to an accident or injury.**
- **Always make sure all control cables work smoothly before you begin riding in cold weather. If the control cables are frozen or**

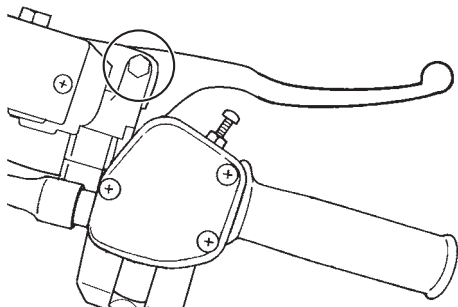
**do not work smoothly, you could be unable to control the ATV, which could lead to an accident or collision.**

## Checking and lubricating the front and rear brake levers

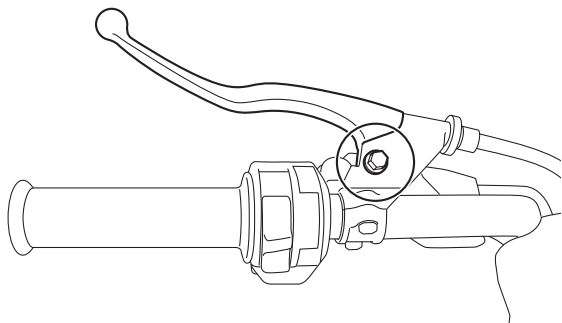
The operation of the front and rear brake levers should be checked before each ride, and the lever pivots should be lubricated if necessary.

Recommended lubricants:  
Front brake lever:  
Silicone grease  
Rear brake lever:  
Lithium-soap-based grease

## Front brake lever



## Rear brake lever

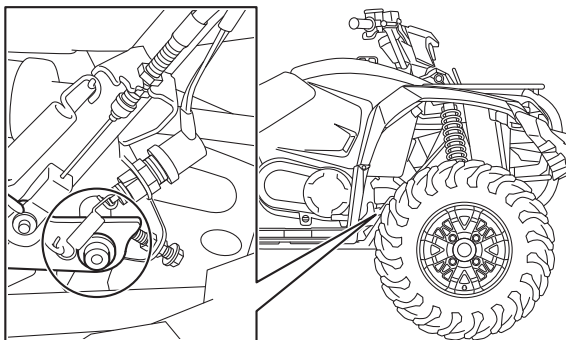


EBU28872

## Checking and lubricating the brake pedal

The operation of the brake pedal should be checked before each ride, and the pedal pivot should be lubricated if necessary.

Recommended lubricant:  
Lithium-soap-based grease

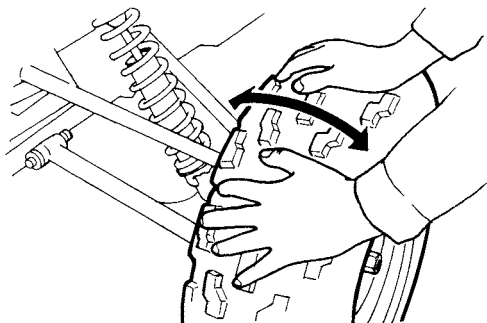


EBU24964

## Checking the wheel hub bearings

The front and rear wheel hub bearings must be checked at the intervals specified in the periodic maintenance and lubrication chart. If there is play

in a wheel hub or if a wheel does not turn smoothly, have a Yamaha dealer check the wheel hub bearings.

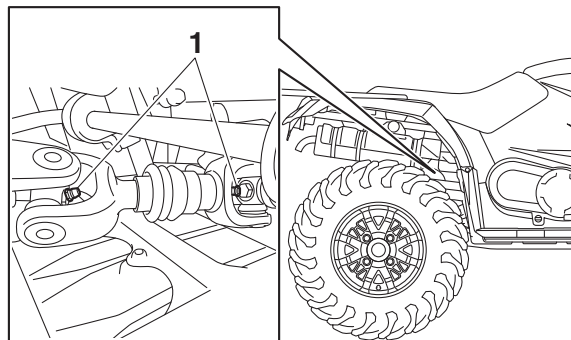


EBU24974

## Lubricating the drive shaft universal joint

The drive shaft universal joint must be lubricated at the intervals specified in the periodic maintenance chart.

Recommended lubricant:  
Lithium-soap-based grease



1. Grease nipple

### TIP

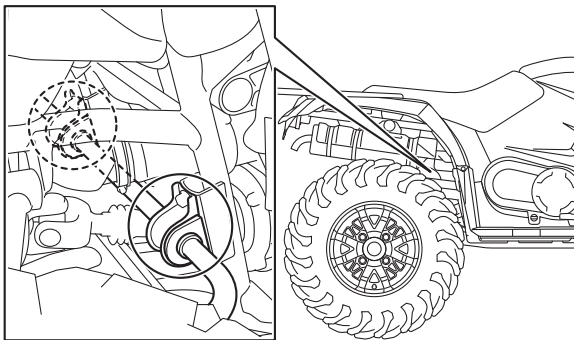
For parts equipped with a grease nipple, use a grease gun.

EBU25023

## Checking the stabilizer bushes

The stabilizer bushes must be checked for cracks or damage at the intervals specified in the periodic maintenance and lubrication chart.

Have a Yamaha dealer replace the stabilizer bushes if necessary.



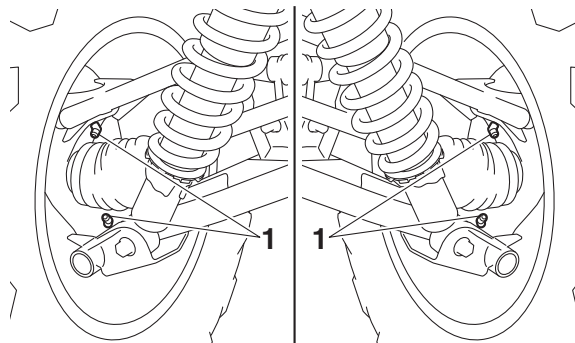
EBU25054

## Lubricating the rear knuckle pivots

The rear knuckle pivots must be lubricated at the intervals specified in the periodic maintenance and lubrication chart.

8

Recommended lubricant:  
Lithium-soap-based grease



1. Grease nipple

### TIP

For parts equipped with a grease nipple, use a grease gun.

EBU25095

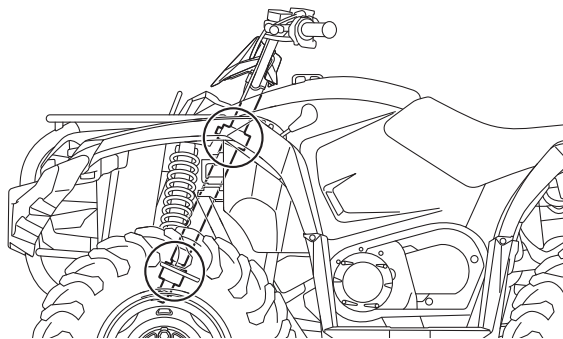
## Lubricating the steering shaft

The steering shaft must be lubricated by a Yamaha dealer at the intervals specified in the periodic maintenance and lubrication chart.

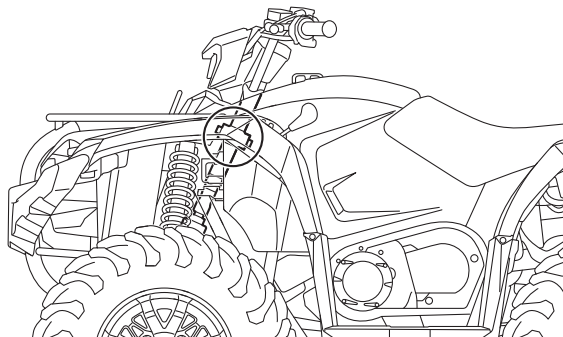
Recommended lubricant:  
Lithium-soap-based grease



## YFM45KDXX / YFM45KDHK



## YFM45KPXK / YFM45KPHK / YFM45KPLK



### TIP

For parts equipped with a grease nipple, use a grease gun.

EBU2918B

### Battery

This model is equipped with a 12-volt VRLA (valve-regulated lead-acid) battery. There is no need to check the electrolyte or to add distilled water. However, the battery lead connections need to be checked and tightened, and the battery terminals cleaned if corroded. If the battery seems to have discharged, recharge it as soon as possible.

### TIP

- Wear gloves and eye protection in a ventilated area away from sparks and open flames. Wash hands after handling.
- It is recommended to have the battery serviced by a Yamaha dealer.

**⚠ WARNING**

Battery electrolyte is poisonous and dangerous, as it contains sulfuric acid, which can cause severe burns. Avoid contact with skin, eyes or clothing. Always shield your eyes when working near batteries.

Antidote:

**EXTERNAL:** Flush with water.

**INTERNAL:** Drink large quantities of water or milk. Follow with milk of magnesia, beaten egg or vegetable oil. Call a physician immediately.

**EYES:** Flush with water for 15 minutes and get prompt medical attention.

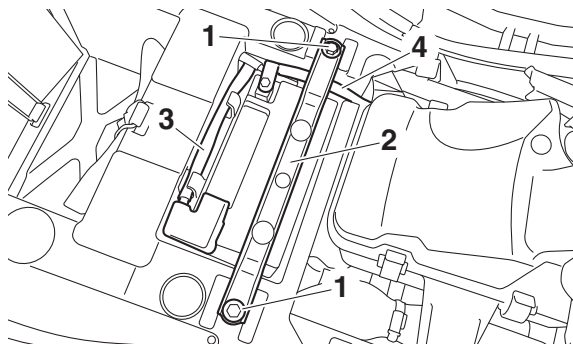
Batteries produce explosive gases. Keep sparks, flame, cigarettes or other sources of ignition away. Ventilate when charging or using in an enclosed space.

**KEEP OUT OF REACH OF CHILDREN.**

---

### To remove the battery

1. Remove the seat. (See page 4-13.)
2. Remove the battery holding plate by removing the bolts.



1. Bolt
2. Battery holding plate
3. Positive battery lead (red)
4. Negative battery lead (black)

3. Disconnect the negative battery lead first, then the positive battery lead by removing their bolt. **NOTICE: When removing the battery, the main switch must be off, and the negative lead must be disconnected before the positive lead.** [ECB01002]
4. Pull the battery out of its compartment.

**NOTICE**

**Never attempt to open the battery or remove the battery cell seals, as this would permanently damage the battery.**

---

**To charge the battery**

- Confirm the recommended charging rate as specified on the battery itself.
- Select a suitable charger and follow the manufacturer's instructions.

**NOTICE**

**To charge a VRLA (valve-regulated lead-acid) battery, a special battery charger is required. Using a conventional battery charger will damage the battery.**

---

**To store the battery**

- If the ATV will not be used for more than one month, remove the battery, fully charge it, and then place it in a cool, dry place.
- If the battery will be stored for more than two months, check it at least once a month and fully charge it if necessary.

**NOTICE**

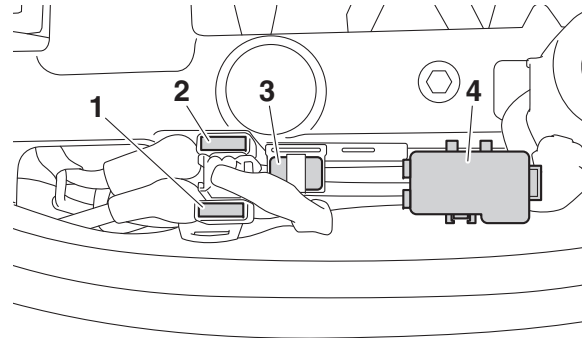
- **Always keep the battery charged. Storing the battery in a discharged state for an extended period of time will cause permanent battery damage.**
  - **Do not store the battery in an excessively cold or warm place [below freezing or above 30 °C (90 °F)].**
- 

**To install the battery**

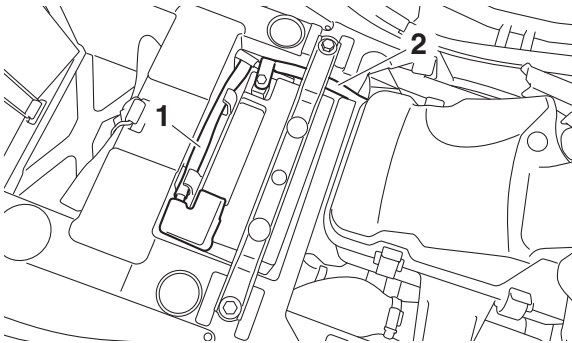
1. Place the battery in its compartment.
2. Connect the positive battery lead first, then connect the negative battery lead by installing their bolt. **NOTICE: When installing the battery, the main switch must be off, and the positive lead must be connected before the negative lead.** [ECB01111]

## Replacing a fuse

### For non-EPS models



1. Fuel injection system spare fuse
2. Fuel injection system fuse
3. Main fuse
4. Fuse box

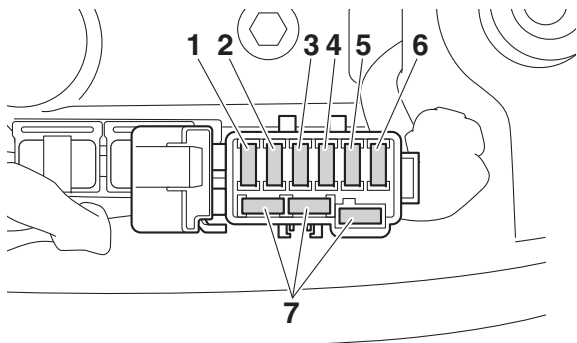


1. Positive battery lead (red)
2. Negative battery lead (black)

3. Install the battery holding plate by installing the bolts.
4. Install the seat. (See page 4-13.)

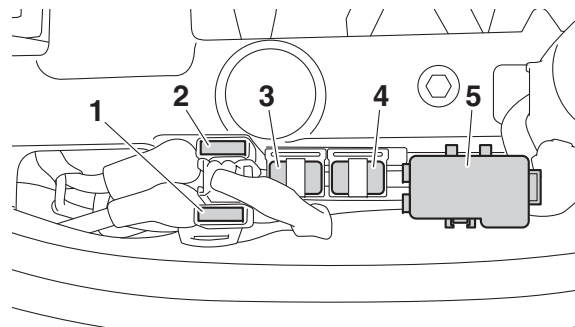
#### TIP

- Make sure the positive and negative battery leads are installed as shown.
- Fully charge the battery before installing it.

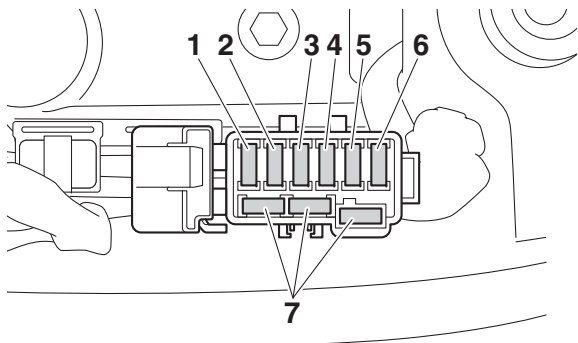


1. Auxiliary DC jack fuse
2. Four-wheel-drive motor fuse
3. Ignition fuse
4. Radiator fan motor fuse
5. Signaling system fuse
6. Headlight fuse
7. Spare fuse

### For EPS models



1. Fuel injection system spare fuse
2. Fuel injection system fuse
3. Main fuse
4. EPS fuse
5. Fuse box



1. Auxiliary DC jack fuse
2. Four-wheel-drive motor fuse
3. Ignition fuse
4. Radiator fan motor fuse
5. Signaling system fuse
6. Headlight fuse
7. Spare fuse

If an electrical problem is suspected, check the fuse and replace it if necessary as follows.

ECB00641

### **NOTICE**

**To prevent accidental short-circuiting, turn off the main switch when checking or replacing a fuse.**

1. Turn off all electrical systems. (See page 4-1.)

2. Remove the seat. (See page 4-13.)
3. Remove the blown fuse, and then install a new fuse of the specified amperage. **WARNING! Always use a fuse of the specified rating, and never use a substitute object in place of the proper fuse. An improper fuse or a substitute object can cause damage to the electrical system, which could lead to a fire.** [EWB02173]

**Specified fuses:**

Main fuse:

40.0 A

Headlight fuse:

15.0 A

Ignition fuse:

10.0 A

Four-wheel-drive motor fuse:

3.0 A

Signaling system fuse:

10.0 A

Radiator fan motor fuse:

20.0 A

Auxiliary DC jack fuse:

10.0 A

Fuel injection system fuse:

10.0 A

EPS fuse:

40.0 A (YFM45KPHK, YFM45KPLK,  
YFM45KPXK)

4. Turn on the main switch, start the engine, and then turn on the circuit in question.
5. If the fuse immediately blows again, have a Yamaha dealer check the vehicle.

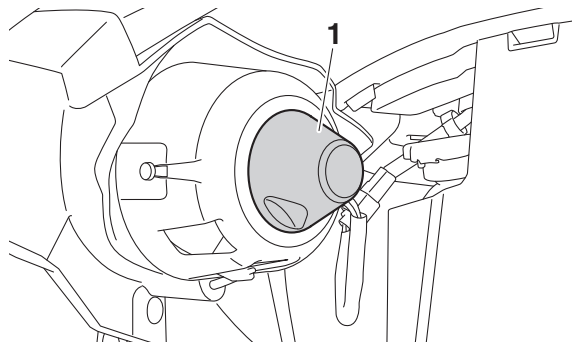
EBU34223

## Replacing a headlight bulb

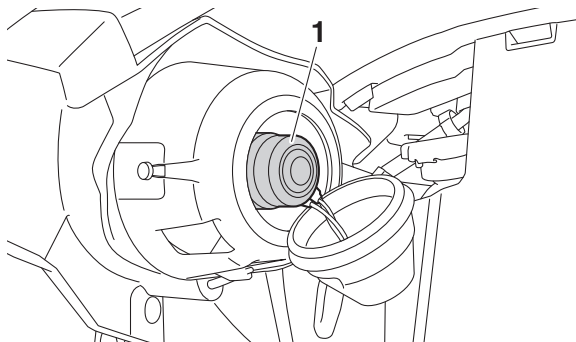
If a headlight bulb burns out, replace it with the specified bulb as follows.

### Left and right headlight bulbs

1. Remove the cover at the rear of the headlight by pulling it off.

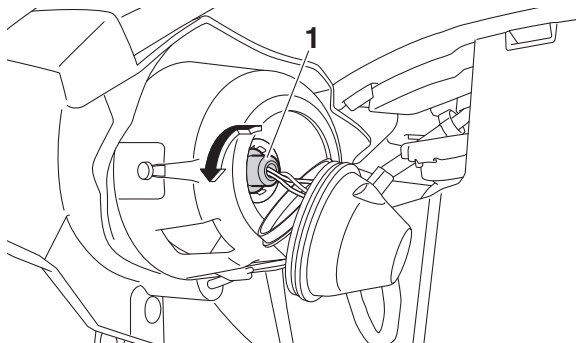


1. Cover at the rear of the headlight
2. Remove the bulb cover by pulling it off.



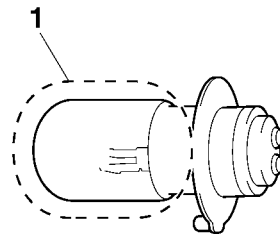
1. Bulb cover

3. Remove the socket by pushing it in and turning it counterclockwise.



1. Socket

4. Remove the burnt-out bulb.
5. Place a new bulb into position. **NOTICE: Do not touch the glass part of the bulb. Oil from your fingers or other contamination will adversely affect the transparency of the glass, luminosity of the bulb, and bulb life. Thoroughly clean off any dirt and fingerprints using a cloth moistened with alcohol or thinner.** [ECB00653]



1. Do not touch the glass part of the bulb.
6. Install the socket by pushing it in and turning it clockwise.

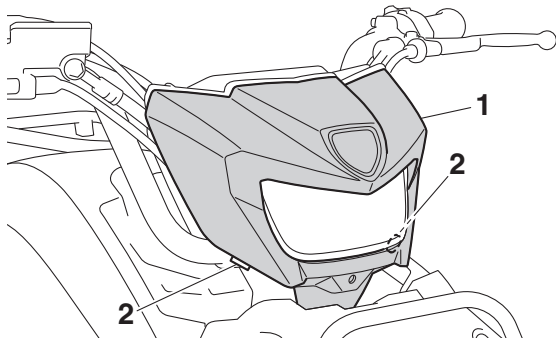


7. Install the bulb cover and the cover at the rear of the headlight. **NOTICE: Make sure the bulb cover is securely fitted over the socket and seated properly.** [ECB03320]

8. Adjust the headlight beam if necessary.

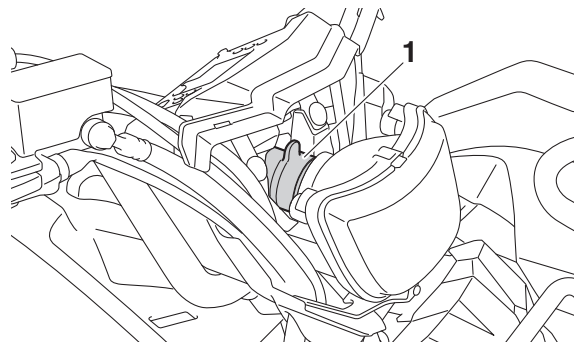
### Handlebar-mounted light bulb (YFM45KPXK / YFM45KPHK / YFM45KPLK)

1. Remove the handlebar-mounted light cover by removing the quick fasteners.



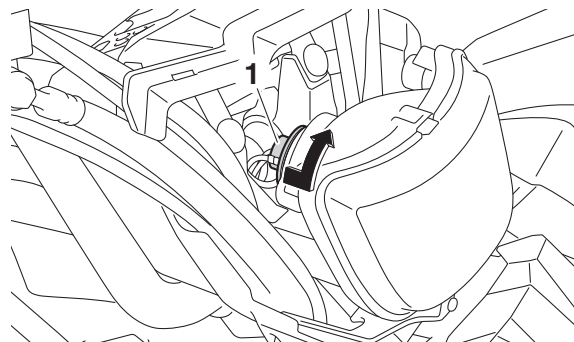
- 1. Handlebar-mounted light cover
- 2. Quick fastener

2. Remove the bulb cover by pulling it off.



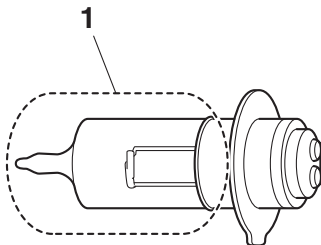
1. Bulb cover

3. Remove the socket by pushing it in and turning it counterclockwise.



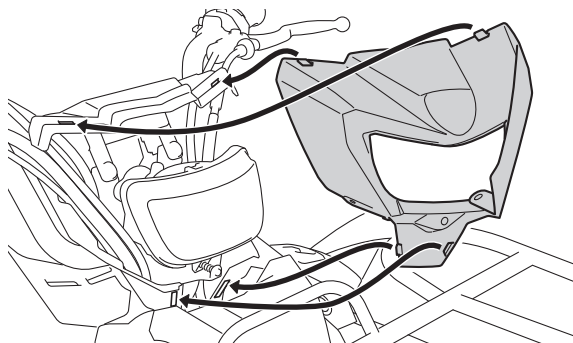
1. Socket

4. Remove the burnt-out bulb.
5. Place a new bulb into position. **NOTICE: Do not touch the glass part of the bulb. Oil from your fingers or other contamination will adversely affect the transparency of the glass, luminosity of the bulb, and bulb life. Thoroughly clean off any dirt and fingerprints using a cloth moistened with alcohol or thinner.** [ECB00653]



1. Do not touch the glass part of the bulb.
6. Install the socket by pushing it in and turning it clockwise.
7. Install the bulb cover. **NOTICE: Make sure the bulb cover is securely fitted over the socket and seated properly.** [ECB03320]

8. Install the handlebar-mounted light cover as shown, and then install the quick fasteners.



9. Adjust the handlebar-mounted light beam if necessary.

EBU25553

## Adjusting a headlight beam

ECB00691

### **NOTICE**

**It is advisable to have a Yamaha dealer make this adjustment.**

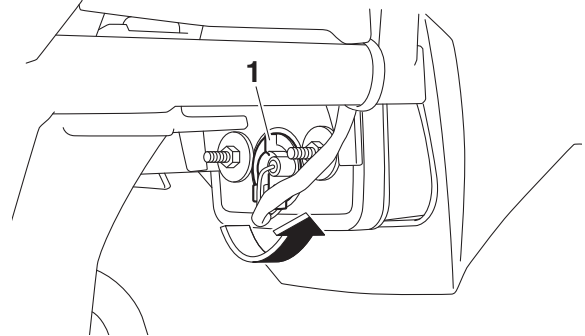
To raise a headlight beam, turn the headlight beam adjusting screw in direction (a).

To lower a headlight beam, turn the adjusting screw in direction (b).

## Replacing the brake/tail light bulb

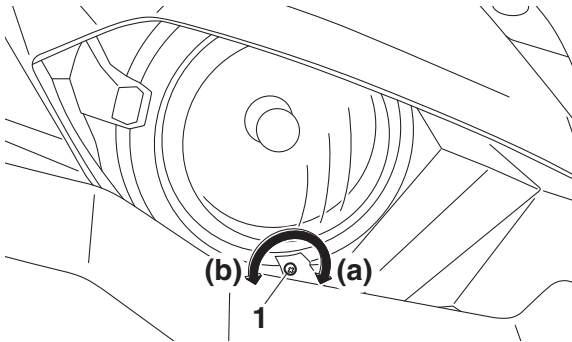
If the brake/tail light bulb burns out, replace it as follows.

1. Remove the brake/tail light bulb holder (together with the bulb) by turning it counterclockwise.



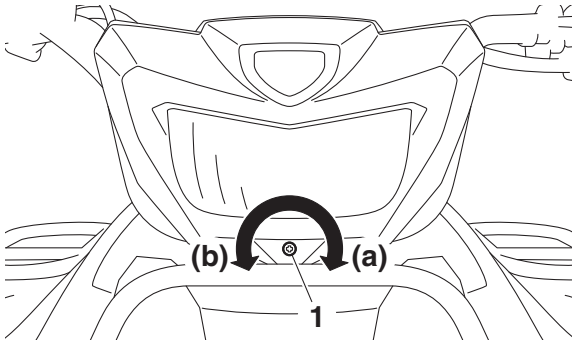
1. Brake/tail light bulb holder

2. Remove the burnt-out bulb by pushing it in and turning it counterclockwise.

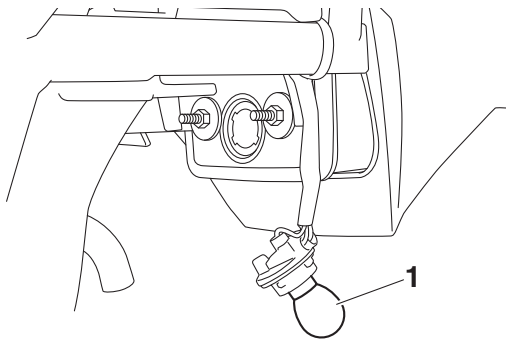


1. Headlight beam adjusting screw

### YFM45KPXK / YFM45KPHK / YFM45KPLK



1. Handlebar-mounted light beam adjusting screw



1. Brake/tail light bulb

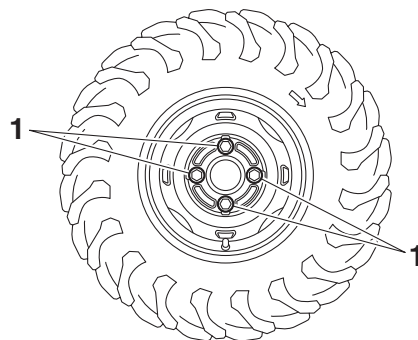
3. Insert a new bulb into the bulb holder, push it in, and then turn it clockwise until it stops.
4. Install the bulb holder (together with the bulb) by turning it clockwise.

8

EBU25653

## Removing a wheel

1. Park the ATV on a level surface.
2. Loosen the wheel nuts.



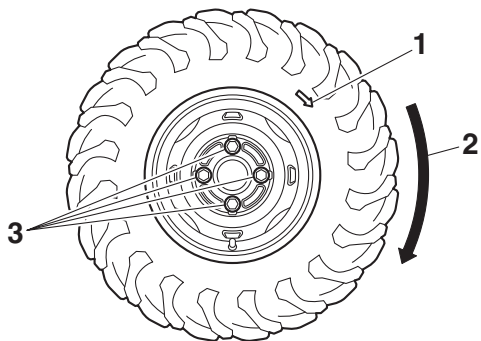
1. Wheel nut

3. Elevate the ATV and place a suitable stand under the frame.
4. Remove the nuts from the wheel.
5. Remove the wheel.

EBU36243

## Installing a wheel

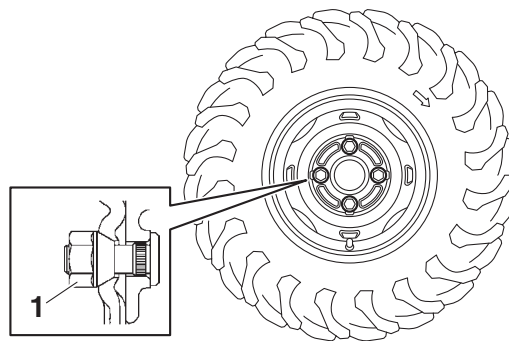
1. Install the wheel with the arrow mark pointing in the forward rotating direction of the wheel, and then install the wheel nuts.



1. Arrow mark
2. Forward rotating direction
3. Wheel nut

**TIP**

For YFM45KDXK / YFM45KDHK / YFM45KPXK / YFM45KPHK: be sure to install the nuts with their tapered side towards the wheel.



1. Tapered nut
2. Lower the ATV to the ground.
3. Tighten the wheel nuts to the specified torques.

**Tightening torques:**

Front wheel nut:  
 55 N·m (5.5 kgf·m, 41 lb·ft)  
 Rear wheel nut:  
 55 N·m (5.5 kgf·m, 41 lb·ft)

## Troubleshooting

Although Yamaha ATVs receive a thorough inspection before shipment from the factory, trouble may occur during operation. Any problem in the fuel, compression, or ignition systems, for example, can cause poor starting and loss of power.

The following troubleshooting charts represent quick and easy procedures for checking these vital systems yourself. However, should your ATV require any repair, take it to a Yamaha dealer, whose skilled technicians have the necessary tools, experience, and know-how to service the ATV properly.

Use only genuine Yamaha replacement parts. Imitation parts may look like Yamaha parts, but they are often inferior, have a shorter service life and can lead to expensive repair bills.

8

EWB02281



---

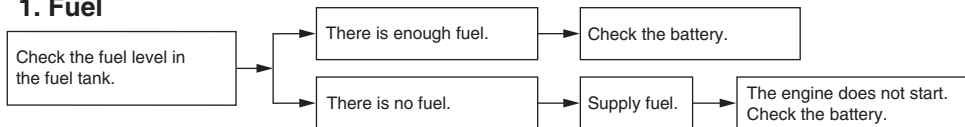
**Do not smoke when checking the fuel system. Fuel can ignite or explode, causing severe injury or property damage. Make sure there are no open flames or sparks in the area, including pilot lights from water heaters or furnaces.**

---

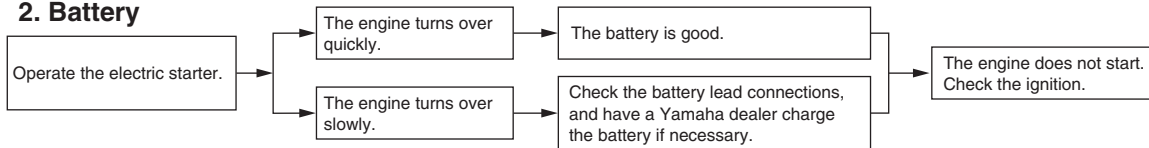
# Troubleshooting charts

## Starting problems or poor engine performance

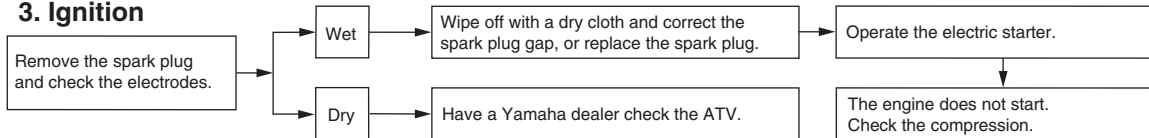
### 1. Fuel



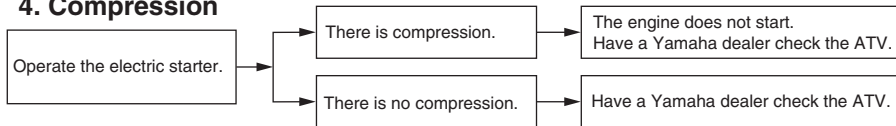
### 2. Battery



### 3. Ignition



### 4. Compression

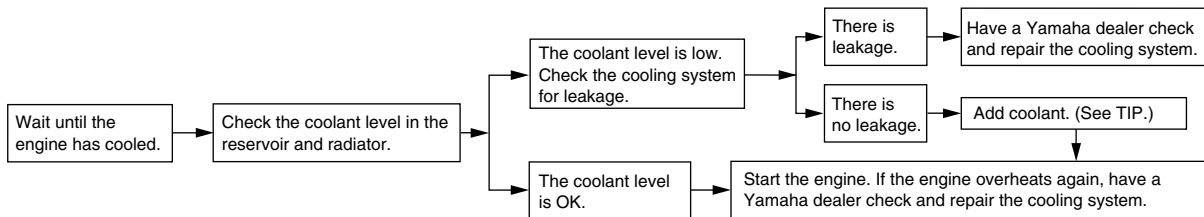


## Engine overheating

EWB02291



**Wait for the engine and radiator to cool before removing the radiator cap. You could be burned by hot fluid and steam blown out under pressure. Always put a thick rag over the cap when opening. Allow any remaining pressure to escape before completely removing the cap.**



8

## TIP

- Tap water can be used in an emergency. Change to the recommended coolant as soon as possible.
- The engine will tend to overheat if the radiator is caked with mud, or if the ATV is overloaded.



## CLEANING AND STORAGE

EBU25882

### Cleaning

Frequent, thorough cleaning of your ATV will not only enhance its appearance but will improve its general performance and extend the useful life of many components.

1. Before cleaning the ATV:
  - a. Block off the end of the exhaust pipe to prevent water entry. A plastic bag and strong rubber band may be used.
  - b. Make sure the spark plug and all filler caps are properly installed.
2. If the engine case is excessively greasy, apply degreaser with a paint brush. Do not apply degreaser to the wheel axles.
3. Rinse the dirt and degreaser off with a garden hose. Use only enough pressure to do the job. **WARNING! Wet brakes may have reduced stopping ability, increasing the chance of an accident. Test the brakes after washing. Apply the brakes several times at slow speeds to let friction dry out the linings.** [EWB02312] **NOTICE: Excessive water pressure may cause water seepage and deterioration of wheel bearings, brakes, transmission seals and electrical devices. Many expensive repair bills have resulted from improper high-pressure detergent applications such as those available in coin-operated car washers.** [ECB00712]
4. Once most of the dirt has been hosed off, wash all surfaces with warm water and mild, detergent-type soap. An old toothbrush or bottle brush is handy for hard-to-reach places.
5. Rinse the ATV off immediately with clean water and dry all surfaces with a chamois, clean towel or soft absorbing cloth.
6. Clean the seat with a vinyl upholstery cleaner to keep the cover pliable and glossy.
7. Automotive type wax may be applied to all painted and chrome plated surfaces. Avoid combination cleaner-waxes. Many contain abrasives which may mar the paint or protective finish. When finished cleaning, start the engine and let it idle for several minutes.

## Storage

### Short-term

Always store your ATV in a cool, dry place and, if necessary, protect it against dust with a porous cover. **NOTICE: Storing the ATV in a poorly ventilated room or covering it with a tarp while it is still wet, will allow water and humidity to seep in and cause rust. To prevent corrosion, avoid damp cellars, stables (because of the presence of ammonia) and areas where strong chemicals are stored.** [ECB00722]

### Long-term

Before storing your ATV for several months:

1. Make any necessary repairs and perform all outstanding maintenance.
2. Follow all the instructions in the Cleaning section of this chapter.
3. Fill up the fuel tank and add fuel stabilizer (Fuel Med Rx if available), and then run the engine for 5 minutes to distribute the treated fuel.

Specified amount:

7.5 ml per liter of fuel (1 oz per gallon)

4. Perform the following steps to protect the engine from internal corrosion.
  - a. Remove the spark plug cap and spark plug.
  - b. Pour a teaspoonful of engine oil into the spark plug bore.
  - c. Install the spark plug cap onto the spark plug, and then place the spark plug on the cylinder head so that the electrodes are grounded. (This will limit sparking during the next step.)
  - d. Turn the engine over several times with the starter. (This will coat the cylinder wall with oil.)
  - e. Remove the spark plug cap from the spark plug, and then install the spark plug and the spark plug cap.
5. Lubricate all control cables and the pivoting points of all levers and pedals.
6. Put the frame on stands or blocks to raise all wheels off the ground. (Alternatively, turn the wheels each month to prevent the tires from degrading in one spot.)
7. Cover the muffler outlet with a plastic bag to prevent moisture from entering it.

8. Remove the battery and fully charge it. (See page 8-52.)

# SPECIFICATIONS

## Dimensions:

- Overall length:  
2035 mm (80.1 in)
- Overall width:  
1180 mm (46.5 in)
- Overall height:  
1160 mm (45.7 in)
- Seat height:  
856 mm (33.7 in)
- Wheelbase:  
1240 mm (48.8 in)
- Ground clearance:  
245 mm (9.6 in)
- Minimum turning radius:  
3.2 m (10.50 ft)
- Maximum water depth:  
35 cm (14 in)

## Weight:

- Curb weight:  
289.0 kg (637 lb) (YFM45KDHK, YFM45KDXX)  
295.0 kg (650 lb) (YFM45KPHK, YFM45KPLK,  
YFM45KPXX)

## Loading:

- Maximum loading limit:  
240.0 kg (530 lb)  
(Total weight of rider, cargo, accessories, and tongue)

## Noise and vibration level:

- Noise level (77/311/EEC):  
78.0 dB(A) at 3125 r/min (YFM45KDHK,  
YFM45KDXX\_EUR/FRA/GBR, YFM45KPHK,  
YFM45KPLK, YFM45KPXX\_EUR/FRA/GBR)
- Uncertainty of measurement:  
3.0 dB(A) (YFM45KDHK, YFM45KDXX\_EUR/FRA/GBR,  
YFM45KPHK, YFM45KPLK,  
YFM45KPXX\_EUR/FRA/GBR)
- Vibration on seat (EN1032, ISO5008):  
Will not exceed 0.5 m/s<sup>2</sup> (YFM45KDHK,  
YFM45KDXX\_EUR/FRA/GBR, YFM45KPHK,  
YFM45KPLK, YFM45KPXX\_EUR/FRA/GBR)
- Uncertainty of measurement:  
0.0 m/s<sup>2</sup> (YFM45KDHK, YFM45KDXX\_EUR/FRA/GBR,  
YFM45KPHK, YFM45KPLK,  
YFM45KPXX\_EUR/FRA/GBR)
- Vibration on handle (EN1032, ISO5008):  
Will not exceed 2.5 m/s<sup>2</sup> (YFM45KDHK,  
YFM45KDXX\_EUR/FRA/GBR, YFM45KPHK,  
YFM45KPLK, YFM45KPXX\_EUR/FRA/GBR)
- Uncertainty of measurement:  
0.3 m/s<sup>2</sup> (YFM45KPHK, YFM45KPLK,  
YFM45KPXX\_EUR/FRA/GBR)  
0.4 m/s<sup>2</sup> (YFM45KDHK, YFM45KDXX\_EUR/FRA/GBR)
- Engine:**  
Combustion cycle:  
4-stroke

Cooling system:

Liquid cooled

Valve train:

SOHC

Number of cylinders:

Single cylinder

Displacement:

421 cm<sup>3</sup>

Bore × stroke:

84.5 × 75.0 mm (3.33 × 2.95 in)

Compression ratio:

10.0 : 1

Starting system:

Electric starter

Lubrication system:

Wet sump

### Engine oil:

Recommended brand:

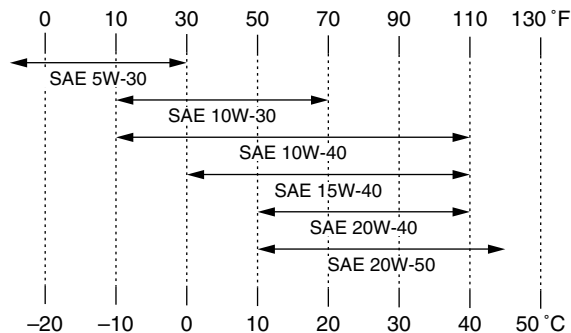
YAMALUBE

SAE viscosity grades:

5W-30, 10W-30, 10W-40, 15W-40, 20W-40, 20W-50

Recommended engine oil grade:

API service SG type or higher, JASO standard MA



Quantity:

Oil change:

2.30 L (2.43 US qt, 2.02 Imp.qt)

With oil filter removal:

2.40 L (2.54 US qt, 2.11 Imp.qt)

### Final gear oil:

Type:

Yamaha Friction Modified Shaft Drive Gear Oil

Quantity:

0.38 L (0.40 US qt, 0.33 Imp.qt)

### Differential gear oil:

Type:

Yamaha Friction Modified Shaft Drive Gear Oil or SAE 80  
API GL-4 Hypoid gear oil

Quantity:

0.35 L (0.37 US qt, 0.31 Imp.qt)

### **Coolant quantity:**

Radiator (including all routes):

1.32 L (1.40 US qt, 1.16 Imp.qt)

Coolant reservoir (up to the maximum level mark):

0.25 L (0.26 US qt, 0.22 Imp.qt)

### **Air filter:**

Air filter element:

Wet element

Air filter oil grade:

Foam air-filter oil

### **Fuel:**

Recommended fuel:

Regular unleaded gasoline (Gasohol [E10] acceptable)

Minimum research octane:

91

Fuel tank capacity:

14 L (3.7 US gal, 3.1 Imp.gal)

Fuel reserve amount:

4.0 L (1.06 US gal, 0.88 Imp.gal)

### **Throttle body:**

ID mark:

BB51 00

### **Spark plug (s):**

Manufacturer/model:

NGK/DR7EA

Spark plug gap:

0.6–0.7 mm (0.024–0.028 in)

### **Drivetrain:**

Primary reduction ratio:

1.000

Secondary reduction ratio:

7.944 (39/24 x 24/18 x 33/9)

Final drive:

Shaft

Clutch type:

Wet, centrifugal, shoe

Transmission type:

CVT automatic with reverse

Gear ratio:

Transmission ratio:

2.550–0.750 : 1

Reverse gear:

1.706 (29/17)

Low range:

2.813 (45/16)

High range:

1.652 (38/23)

### **Front tire:**

Size:

AT25 x 8-12

Manufacturer/model:

CHENG SHIN/CU905

### **Rear tire:**

Size:

AT25 x 10-12

Manufacturer/model:

CHENG SHIN/CU906

### **Tire air pressure (measured on cold tires):**

Recommended (For Oceania):

Front:

35.0 kPa (0.350 kgf/cm<sup>2</sup>, 5.0 psi)

(YFM45KDXX\_AUS/NZL, YFM45KPXK\_AUS/NZL)

Rear:

30.0 kPa (0.300 kgf/cm<sup>2</sup>, 4.4 psi)  
(YFM45KDXX\_AUS/NZL, YFM45KPXK\_AUS/NZL)

Minimum (For Oceania):

Front:

32.0 kPa (0.320 kgf/cm<sup>2</sup>, 4.6 psi)  
(YFM45KDXX\_AUS/NZL, YFM45KPXK\_AUS/NZL)

Rear:

27.0 kPa (0.270 kgf/cm<sup>2</sup>, 3.9 psi)  
(YFM45KDXX\_AUS/NZL, YFM45KPXK\_AUS/NZL)

No cargo or trailer (For Europe):

Front:

35.0 kPa (0.350 kgf/cm<sup>2</sup>, 5.0 psi) (YFM45KDHK,  
YFM45KDXX\_EUR/FRA/GBR, YFM45KPHK,  
YFM45KPLK, YFM45KPXK\_EUR/FRA/GBR)

Rear:

30.0 kPa (0.300 kgf/cm<sup>2</sup>, 4.4 psi) (YFM45KDHK,  
YFM45KDXX\_EUR/FRA/GBR, YFM45KPHK,  
YFM45KPLK, YFM45KPXK\_EUR/FRA/GBR)

With cargo or trailer (For Europe):

Front:

50.0 kPa (0.500 kgf/cm<sup>2</sup>, 7.3 psi) (YFM45KDHK,  
YFM45KDXX\_EUR/FRA/GBR, YFM45KPHK,  
YFM45KPLK, YFM45KPXK\_EUR/FRA/GBR)

Rear:

50.0 kPa (0.500 kgf/cm<sup>2</sup>, 7.3 psi) (YFM45KDHK,  
YFM45KDXX\_EUR/FRA/GBR, YFM45KPHK,  
YFM45KPLK, YFM45KPXK\_EUR/FRA/GBR)

### Front wheel:

Rim size:

12 x 6.0AT

### Rear wheel:

Rim size:

12 x 7.5AT

### Front brake:

Type:

Hydraulic disc brake

### Rear brake:

Type:

Mechanical wet multiple disc brake

### Brake fluid:

Specified brake fluid:

DOT 4

### Front suspension:

Type:

Double wishbone

Spring:

Coil spring

Shock absorber:

Gas-hydraulic damper

Wheel travel:

171 mm (6.8 in)

### Rear suspension:

Type:

Double wishbone

Spring:

Coil spring

Shock absorber:

Gas-hydraulic damper

Wheel travel:

189 mm (7.4 in)

## Electrical system:

System voltage:

12 V

Ignition system:

TCI

Charging system:

AC magneto

## Battery:

Model:

YTX20L-BS

Voltage, capacity:

12 V, 18.0 Ah

## Lights:

Headlight:

T19L, 30.0 W/30.0 W

Handlebar-mounted light:

T15H, 35.0 W/36.5 W (YFM45KPHK, YFM45KPLK,  
YFM45KPXK)

Brake/tail light:

21.0 W/5.0 W

Meter lighting:

LED

Neutral indicator light:

LED

Reverse indicator light:

LED

Coolant temperature warning light:

LED

Parking brake indicator light:

LED

Four-wheel-drive indicator light:

LED

Engine trouble warning light:

LED

EPS warning light:

LED (YFM45KPHK, YFM45KPLK, YFM45KPXK)

## Fuses:

Main fuse:

40.0 A

Headlight fuse:

15.0 A

Signaling system fuse:

10.0 A

Ignition fuse:

10.0 A

Auxiliary DC jack fuse:

10.0 A

Fuel injection system fuse:

10.0 A

Four-wheel-drive motor fuse:

3.0 A

Radiator fan motor fuse:

20.0 A

EPS fuse:

40.0 A (YFM45KPHK, YFM45KPLK, YFM45KPXK)

EBU30403

## Noise and vibration levels statement (for Europe)

The figures quoted are emission levels and are not necessarily safe working levels. Whilst there is a correlation between the emission and exposure



levels, this cannot be used reliably to determine whether or not further precautions are required. Factors that influence the actual level of exposure of work-force include the characteristics of the work room, the other sources of noise, etc. i.e. the number of machines and other adjacent processes, and the length of time for which an operator is exposed to the noise. Also the permissible exposure level can vary from country. This information, however, will enable the user of the machine to make a better evaluation of the hazard and risk.

# CONSUMER INFORMATION

EBU28202

## Identification numbers

Record the vehicle identification number and model label information in the spaces provided below for assistance when ordering spare parts from a Yamaha dealer or for reference in case the ATV is stolen.

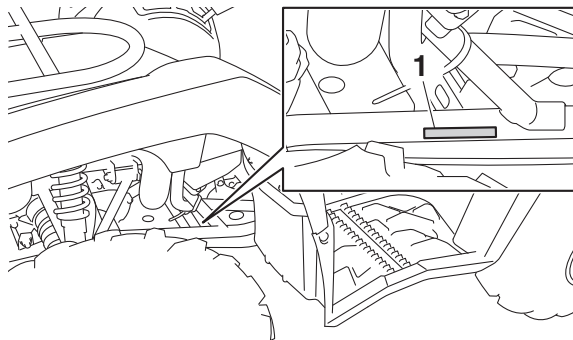
VEHICLE IDENTIFICATION NUMBER:

MODEL LABEL INFORMATION:

EBU26031

## 11 Vehicle identification number

The vehicle identification number is stamped into the frame.



1. Vehicle identification number (front left side)

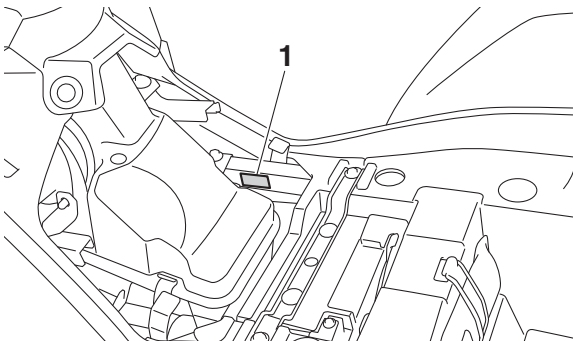
### TIP

The vehicle identification number is used to identify your ATV.

EBU26051

### Model label

The model label is affixed at the location in the illustration. Record the information on this label in the space provided. This information will be needed when ordering spare parts from a Yamaha dealer.



1. Model label

# INDEX

- A**
- Accessories and loading ..... 6-5
  - Accessories, DC jack ..... 4-18
  - Air filter, cleaning ..... 8-32
  - Axle boots ..... 8-46
- B**
- Battery ..... 8-52
  - Brake fluid, changing ..... 8-41
  - Brake fluid level, checking ..... 8-39
  - Brake lever free play, checking the front ..... 8-41
  - Brake lever, front ..... 4-9
  - Brake levers, checking and lubricating ..... 8-48
  - Brake light switches ..... 8-47
  - Brake pads and friction plates, checking ..... 8-39
  - Brake pedal and rear brake lever ..... 4-9
  - Brake pedal, checking and lubricating ..... 8-49
  - Brakes ..... 8-38
  - Brakes, front and rear ..... 5-3
  - Brake/tail light bulb, replacing ..... 8-62
- C**
- Cables, checking and lubricating ..... 8-48
  - Carrier, front ..... 4-15
  - Carrier, rear ..... 4-15
  - Chassis fasteners ..... 5-7
  - Cleaning ..... 9-1
  - Coolant ..... 5-3, 8-28
  - Coolant temperature warning light ..... 4-2
- D**
- Differential gear oil ..... 5-3
  - Differential gear oil, changing ..... 8-27
  - Display unit ..... 4-4
  - Drive select lever ..... 4-10
  - Drive select lever and driving in reverse ..... 6-2
  - Drive shaft universal joint, lubricating ..... 8-50
- E**
- Engine break-in ..... 6-4
  - Engine oil ..... 5-3
  - Engine oil and oil filter cartridge ..... 8-19
  - Engine stop switch ..... 4-6
  - Engine trouble warning light ..... 4-2
  - EPS warning light (for EPS model) ..... 4-3
- F**
- Final gear oil ..... 5-3, 8-24
  - Four-wheel drive indicator light ..... 4-3
  - Four-wheel drive switch (On-Command 4WD) ..... 4-7
  - Fuel ..... 4-12, 5-3
  - Fuel tank cap ..... 4-11
  - Fuses, replacing ..... 8-55
- H**
- Handlebar switches ..... 4-6
  - Headlight beam, adjusting ..... 8-61
  - Headlight bulb, replacing ..... 8-58
  - Horn switch ..... 4-7
- I**
- Identification numbers ..... 11-1
  - Indicator lights and warning lights ..... 4-1
  - Instruments, lights and switches ..... 5-7

<b>L</b>			
Label locations .....	1-1		
Light switch .....	4-7		
<b>M</b>			
Main switch .....	4-1		
Maintenance and lubrication chart .....	8-5		
Maintenance chart, emission control system .....	8-3		
Model label .....	11-1		
<b>N</b>			
Neutral indicator light .....	4-2		
<b>O</b>			
Owner's Manual and tool kit .....	8-2		
<b>P</b>			
Panels, removing and installing .....	8-10		
Park indicator light .....	4-2		
Parking .....	6-4		
Parking on a slope .....	6-5		
Part locations .....	3-1		
<b>R</b>			
Rear brake, adjusting the lever and pedal .....	8-41		
Rear knuckle pivots, lubricating .....	8-51		
Reverse indicator light .....	4-2		
Riding your ATV .....	7-1		
<b>S</b>			
Safety information .....	2-1		
Seat .....	4-13		
Self-diagnosis device .....	4-5		
Shock absorber assemblies, adjusting the front and rear .....	4-15		
Spark arrester, cleaning .....	8-35		
Spark plug, checking .....	8-17		
		Specifications .....	10-1
		Speed limiter .....	4-8
		Stabilizer bushes, checking .....	8-50
		Starting the engine .....	6-1
		Start switch .....	4-6
		Steering shaft, lubricating .....	8-51
		Storage .....	9-2
		Storage compartment .....	4-14
	<b>T</b>		
		Throttle lever .....	4-8, 5-4
		Throttle lever free play, adjusting .....	8-38
		Tires .....	5-4
		Trailer hitch (for equipped models) .....	4-17
		Troubleshooting .....	8-65
		Troubleshooting charts .....	8-66
	<b>V</b>		
		Valve clearance .....	8-38
		V-belt case drain plug .....	8-37
		V-belt cooling duct check hose .....	8-36
		Vehicle identification number .....	11-1
	<b>W</b>		
		Wheel hub bearings, checking .....	8-49
		Wheel, installing .....	8-63
		Wheel, removing .....	8-63
		Winch pre-wiring .....	4-18

**⚠ WARNING**

**Improper ATV use can result in SEVERE INJURY or DEATH.**



**ALWAYS USE  
AN APPROVED  
HELMET AND  
PROTECTIVE GEAR**



**NEVER USE  
ON PAVED  
ROADS**



**NEVER CARRY  
PASSENGERS**



**NEVER USE  
WITH DRUGS  
OR ALCOHOL**

**NEVER operate:**

- without proper training or instruction.
- at speeds too fast for your skills or the conditions.
- on public roads—a collision can occur with another vehicle.
- with a passenger—passengers affect balance and steering and increase risk of losing control.

**ALWAYS:**

- use proper riding techniques to avoid vehicle overturns on hills and rough terrain and in turns.
- avoid paved surfaces—pavement may seriously affect handling and control.

**LOCATE AND READ OWNER'S MANUAL. FOLLOW ALL INSTRUCTIONS AND WARNINGS.**

